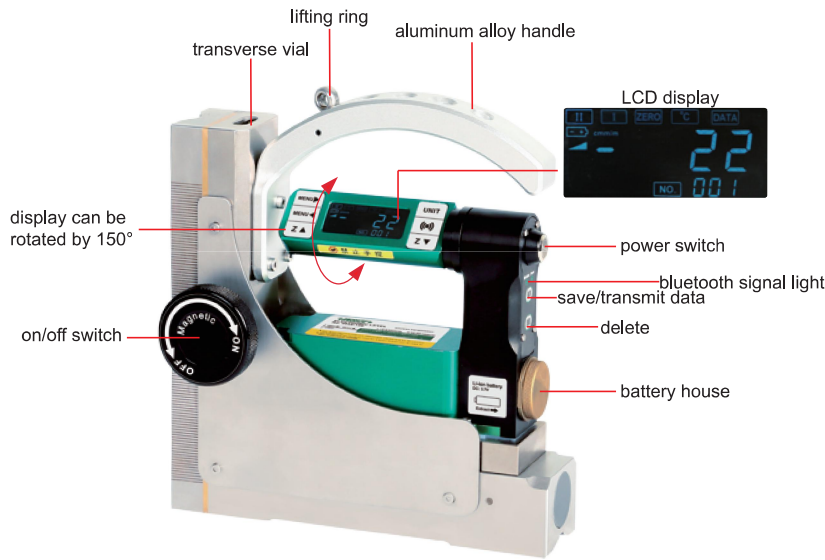


# BUILT-IN BLUETOOTH DIGITAL LEVELS

MAGNETIC ON LEFT

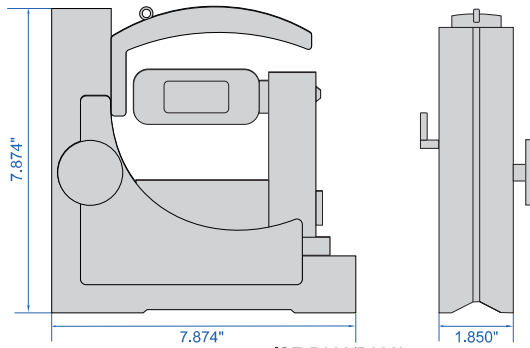
BUILT-IN BLUETOOTH



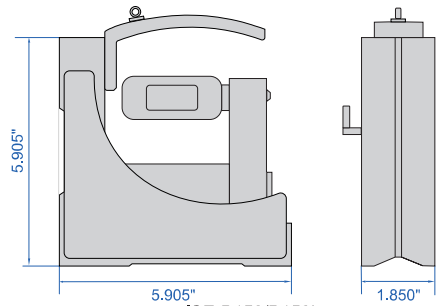
**ISE-B200**



**ISE-B150**

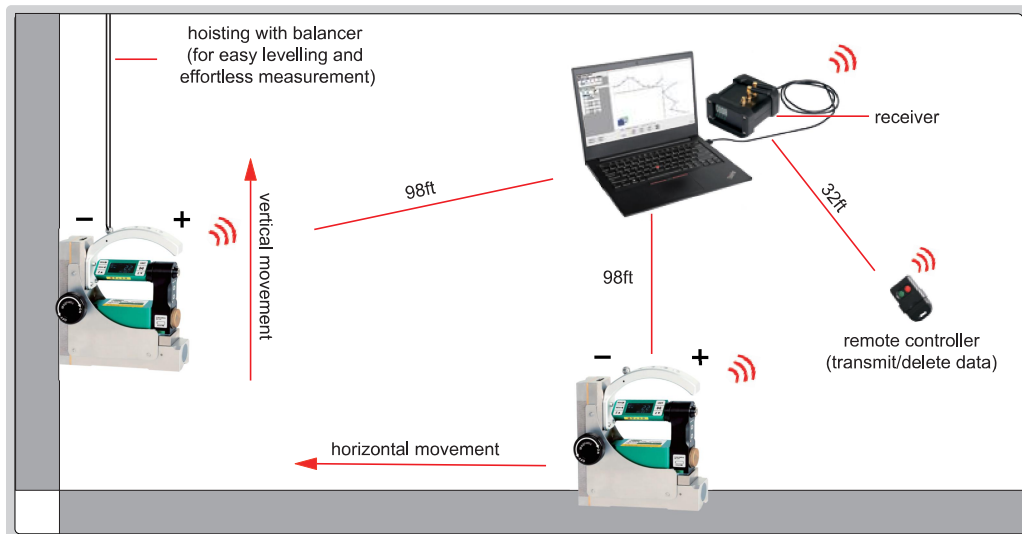


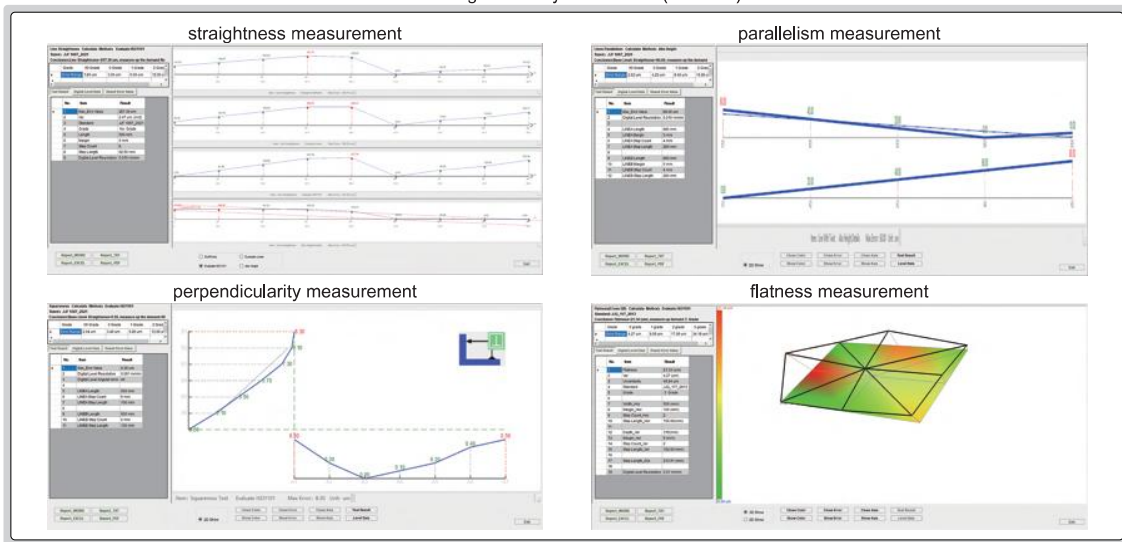
**ISE-B200/B200L**



**ISE-B150/B150L**

application  
(measure the straightness and perpendicularity in horizontal and vertical directions)





- Measures straightness, perpendicularity, parallelism and flatness
- Built-in bluetooth, transmission distance is 98ft (under the condition of no obstruction and no electromagnetic interference)
- The LCD display can be rotated for easy observation in different directions
- Supplied with balancer to hold digital levels
- Supplied with measuring and analysis software

**SPECIFICATION**

Part No.	ISE-B200		ISE-B200L		ISE-B150		ISE-B150L	
<b>Resolution (adjustable)</b>	0.01mm/m(2")	0.001mm/m(0.2")	0.01mm/m(2")	0.005mm/m(1")	0.01mm/m(2")	0.001mm/m(0.2")	0.01mm/m(2")	0.005mm/m(1")
<b>Range</b>	±5mm/m	±0.5mm/m	±5mm/m	±2.5mm/m	±5mm/m	±0.5mm/m	±5mm/m	±2.5mm/m
<b>Accuracy</b>	±(0.01+2%A)*	±(0.001+2%A)*	±(0.01+2%A)*	±(0.005+2%A)*	±(0.01+2%A)*	±(0.001+2%A)*	±(0.01+2%A)*	±(0.005+2%A)*
<b>Repeatability</b>	0.01mm/m	0.001mm/m	0.01mm/m	0.005mm/m	0.01mm/m	0.001mm/m	0.01mm/m	0.005mm/m
<b>Response time</b>	<3s	<10s	<3s	<5s	<3s	<10s	<3s	<5s
<b>Power supply</b>	1 x 21700 Li-ion battery, for 50h continuous working				1 x 21700 Li-ion battery, for 50h continuous working			
<b>Magnetic force</b>	141lbf/sq.in, with on/off switch				28lbf/sq.in			
<b>Net weight</b>	11lb				6lb			

\*A is the absolute measured value, for example A=0.1mm/m, the resolution is 0.001mm/m, the accuracy is ±0.003mm/m

remote controller (included)



receiver (included)



Li-ion batteries and charger (included)



balancer (included)



**STANDARD DELIVERY**

<b>Main unit</b>	1pc
<b>Remote controller</b>	1pc
<b>Receiver</b>	1pc
<b>Measuring and analysis software</b>	1set
<b>Balancer</b>	1pc
<b>Charger</b>	1pc
<b>Li-ion battery</b>	4pcs

**OPTIONAL ACCESSORY**

<b>300mm (11.8") bridge plate</b>	<b>4952-01</b>
<b>200mm (7.9") bridge plate</b>	<b>4952-02</b>
<b>500mm (19.7") bridge plate</b>	<b>4952-03</b>

300mm (11.8") bridge plate (optional)

