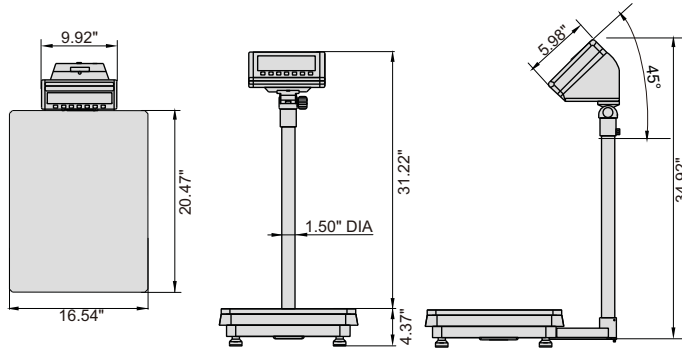


PLATFORM SCALES

- LCD large screen display with LED backlight
- Weighing, overweight alarm, counting, keyboard lock, accumulating, auto zero, animal scale
- Units : lb, kg, g, oz



DATA
OUTPUT

8501-AL150

SPECIFICATION

Part No.	8501-AL60	8501-AL150	8501-AL300
Maximum weighing	130lb	330lb	660lb
Minimum weighing	.20lb	.40lb	.80lb
Resolution (d)	.01lb	.02lb	.04lb
Accuracy	±0.02lb	±0.04lb	±0.06lb
Operating temperature	14~104°F		
Material	platform: stainless steel, base: die-cast aluminum		
Dimension of platform	16.54×20.47"		
Power	rechargeable lead acid battery(6V/4Ah)		
Output	RS232		
Weight	40.34lb		



printer (optional)

OPTIONAL ACCESSORY

Printer	8001-PRINTER
---------	--------------