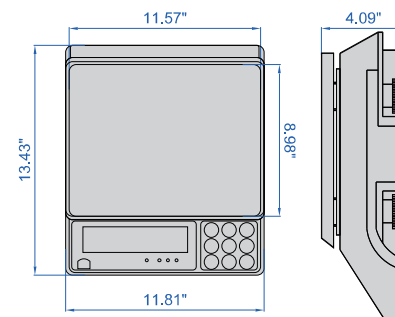


WEIGHING SCALES (BASIC TYPE)

- LCD display, with backlight
- Zero-setting, subtracting tare value, checking alarm
- Simple counting, accumulation
- Peak (max.) and tracking mode
- Double weighing pan in stainless steel and plastic
- Overload alarm
- Unit: kg, g, t, lb, tj, hj, lb-oz



large display (optional)



8007-6



alarm light (optional)

SPECIFICATION

Operation temperature	32~104°F
Power	rechargeable lead acid battery (6V/4Ah)
Dimension of pan	11.57×8.98"

OPTIONAL ACCESSORY (for scales with RS232)

Alarm light	customizable
Large display	8007-SCREEN

Part No.	Maximum weighing	Minimum weighing	Resolution (d)	Accuracy (m is load)	Output
8007-6	6kg/13.2lb	4g/.009lb	0.2g/.0005lb	$m \leq 2.2lb: \pm 0.025lb; 2.2lb < m \leq 8.8lb: \pm 0.05lb; m > 8.8lb: \pm 0.075lb$	no
8007-15	15kg/33lb	10g/.022lb	0.5g/.001lb	$m \leq 5.5lb: \pm 0.05lb; 5.5lb < m \leq 22lb: \pm 0.1lb; m > 22lb: \pm 0.15lb$	
8007-30	30kg/66lb	20g/.044lb	1g/.002lb	$m \leq 11lb: \pm 0.1lb; 11lb < m \leq 44lb: \pm 0.2lb; m > 44lb: \pm 0.3lb$	
8007-6D	6kg/13.2lb	4g/.009lb	0.2g/.0005lb	$m \leq 2.2lb: \pm 0.025lb; 2.2lb < m \leq 8.8lb: \pm 0.05lb; m > 8.8lb: \pm 0.075lb$	RS232
8007-15D	15kg/33lb	10g/.022lb	0.5g/.001lb	$m \leq 5.5lb: \pm 0.05lb; 5.5lb < m \leq 22lb: \pm 0.1lb; m > 22lb: \pm 0.15lb$	
8007-30D	30kg/66lb	20g/.044lb	1g/.002lb	$m \leq 11lb: \pm 0.1lb; 11lb < m \leq 44lb: \pm 0.2lb; m > 44lb: \pm 0.3lb$	