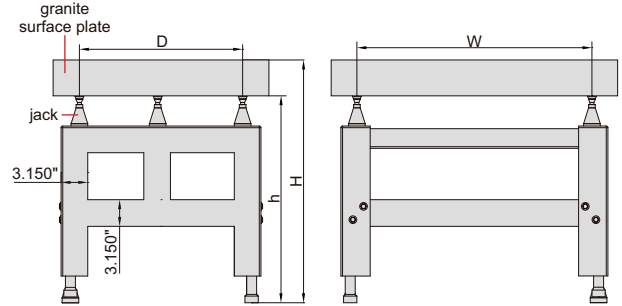


## STANDS FOR GRANITE SURFACE PLATE

- For medium size granite surface plates
- 5 jacks are included
- Adjusting range of jacks: 1"
- One foot on the bottom is adjustable



6902-64A



### Low stands

Part No.	For granite surface plate	W	D	H (with granite surface plate)	h (without granite surface plate)
6902-64A	12x18x3" (part no. 6900-A11)	13.858"	8.819"	30.512-31.496"	27.362-28.346"
6902-85A	18x24x3" (part no. 6900-A12)	17.638"	11.024"	30.512-31.496"	26.575-27.559"
6902-106A	24x36x4" (part no. 6900-A23)	22.047"	13.858"	29.724-30.709"	24.213-25.197"
6902-161A	36x48x6" (part no. 6900-A34)	35.276"	22.047"	29.724-30.709"	22.638-23.622"

### High stands

Part No.	For granite surface plate	W	D	H (with granite surface plate)	h (without granite surface plate)
6902-64H	12x18x3" (part no. 6900-A11)	13.858"	8.819"	39.370-40.354"	36.220-37.205"
6902-85H	18x24x3" (part no. 6900-A12)	17.638"	11.024"	39.370-40.354"	35.433-36.417"
6902-106H	24x36x4" (part no. 6900-A23)	22.047"	13.858"	39.370-40.354"	33.858-34.843"
6902-161H	36x48x6" (part no. 6900-A34)	35.276"	22.047"	39.370-40.354"	32.283-33.268"