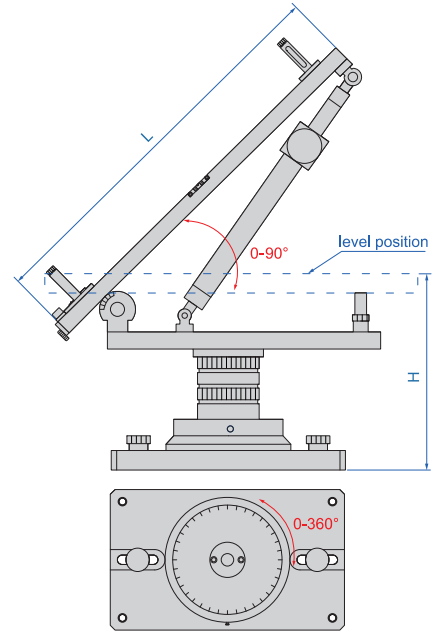


# GAGE BLOCK STAND FOR CMM



**6885-1000**

- Made of aluminum
- Used with gage blocks to calibrate CMM
- Optional accessory: gage blocks (4112 series)

Part No.	Length (L)	Height (H)
6885-1000	19.685", 23.622", 25.591", 27.559", 29.528", 31.496", 33.465", 35.433", 39.370"	9.252", 13.976", 18.701"



height column  
(included, 2 pcs)



extension plate (included, 4 pcs)