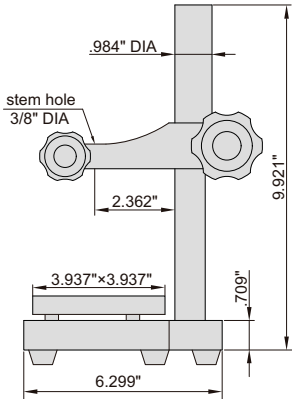


DIAL INDICATOR STANDS



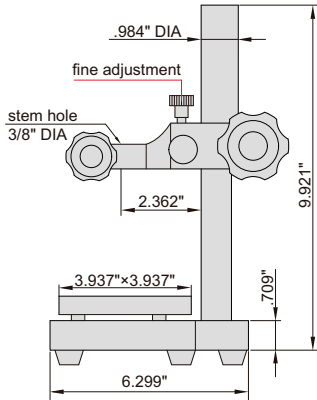
6876-150E



6876-150E



6876-150DE



6876-150DE

- Vertical travel of holder: 6"
- Ceramic anvil
- Supplied with dust cover

Part No.	Applicable holding stem	Anvil	Remark
6876-150E	3/8" DIA	ceramic, plain, flatness 59µin	without fine adjustment
6876-150DE	3/8" DIA	ceramic, plain, flatness 59µin	with fine adjustment, fine adjustment range .118"