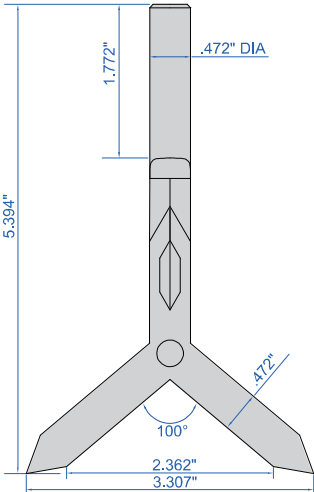


CYLINDER CENTER FINDER



6813-1A



6813-1A

- Can quickly locate workpieces
- Hardness HRC58-62

Part No.	Accuracy	Range of shafts (d)
6813-1A	±.006"	.20-3.54" DIA

applications

