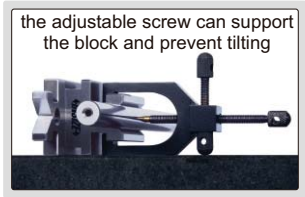


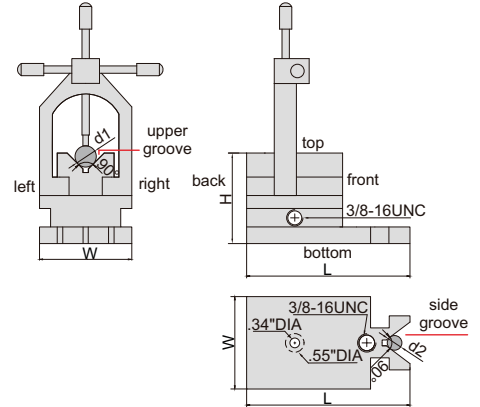
V-BLOCK



- Hold cylindrical workpieces for inspection and machining
- Made of alloy steel
- Hardened to HRC60±2



6804-1



| Part No. | Size (LxWxH) | Range of shafts (d1 and d2) | Parallelism of upper groove to bottom, left and right sides | Squareness of upper groove to back side | Parallelism of side groove to back side |
|----------|--------------|-----------------------------|---|---|---|
| 6804-1 | 3.5x1.9x1.9" | .20-1.30" DIA | .00020" | .00020" | .00020" |