

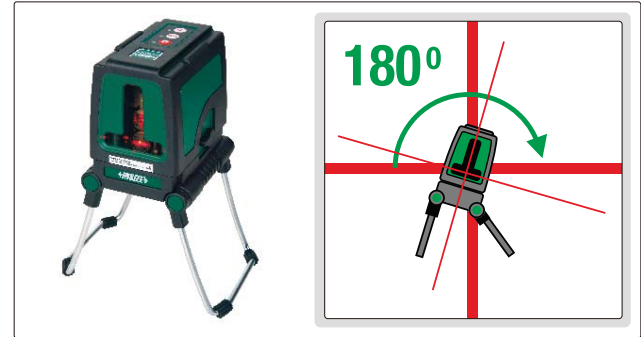
CROSS-LINE LASER LEVEL PART NO. 4917-30

IP54
WATERPROOF

"OUT OF $\pm 3^\circ$ " AUDIBLE
AND VISUAL WARNING



folding legs for angle and height adjustment



- Red horizontal and vertical cross laser lines
- Self-leveling within $\pm 3^\circ$, self-leveling time within 4s, "out of $\pm 3^\circ$ " audible and visual warning
- Folding legs for angle and height adjustment
- Outdoor use can be combined with the detector (part no. : 4917-DETECTOR)

application examples



SPECIFICATION

Laser line width	.079 \pm .02" (within 16ft)
Laser type	630~660nm, class II, <1mW
Beam angle	120 \pm 0.5 $^\circ$
Self-leveling range	$\pm 3^\circ$
Working distance	indoor: 98ft, outdoor: 164ft with detector (optional)
Accuracy	.0024"/ft
Operation temperature	-14~104 $^\circ$ F
Power supply	3 \times AA batteries, for 3 hours continuous operation
Dimension	3.94 \times 3.23 \times 4.09"
Weight	1.38lb

STANDARD DELIVERY

Main unit	1 pc
1/4" to 5/8" tripod adaptor	1 pc
Battery (AA)	3 pcs

OPTIONAL ACCESSORY

Outdoor detector	4917-DETECTOR
------------------	---------------

OUTDOOR DETECTOR (OPTIONAL)

Detecting distance	horizontal direction 3~164ft, vertical direction 3~98ft
Detecting accuracy *	high accuracy ± 0.06 ", low accuracy ± 0.1 "
Power supply	9V battery
Dimension	6.61 \times 2.28 \times 1.18"
Weight	0.31lb(battery included)



outdoor detector (optional)

* Use high accuracy detection mode within 49ft, use low accuracy detection mode over 49ft