

# FRAME LEVELS

**INSIZE** PLUS  
MADE IN EUROPE

NO NEED TO SET ZERO BEFORE USE



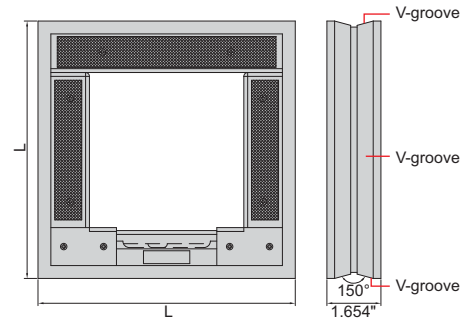
4906-150

magnet on the left side



4906-150M

- No need to set zero before use
- Three V-grooves for shafts (shafts dia. .760~4.563")
- With longitudinal vial



Part No.		Size (LxL)	Remark
Sensitivity .00024in/ft (=0.001°)	Sensitivity .0012in/ft (=0.0057°)		
4906-150	4906-B150	6x6"	—
4906-200	4906-B200	8x8"	—
4906-300	4906-B300	12x12"	—
4906-150M	4906-B150M	6x6"	with magnet
4906-200M	4906-B200M	8x8"	with magnet
4906-300M	4906-B300M	12x12"	with magnet