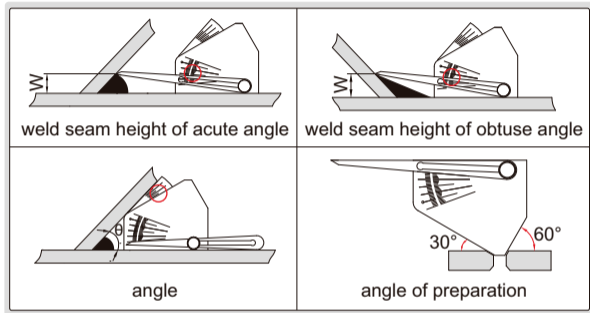
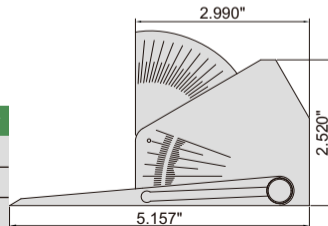


FILLET WELDING GAGE

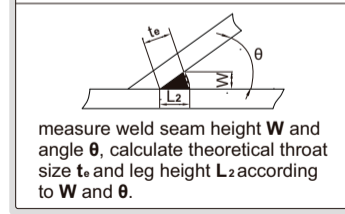
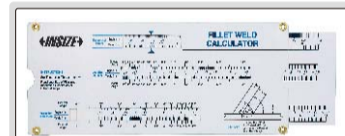


4846-1



- Calculating card is included
- Made of stainless steel

calculating card (included)



Part No.	Measurement	Range	Graduation	Accuracy
4846-1	weld seam height W	0-2"/0-50mm	.050"/2mm	$\pm 0.025"$
	angle θ	30°-90°	2.5°	$\pm 1^\circ$
	60° angle	—	—	$\pm 0.5^\circ$