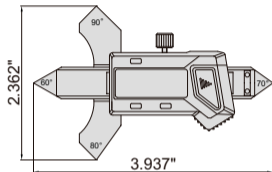


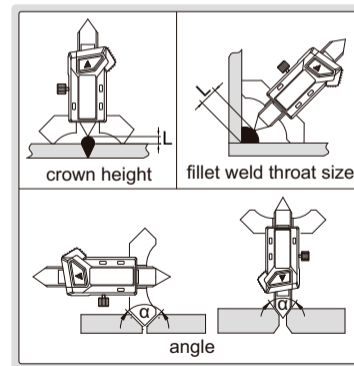
DIGITAL WELDING GAGE

**ATTENTION:
NO DATA OUTPUT**



4831-20A

- Buttons: zero, inch/mm, on/off
- Battery LR44
- Made of stainless steel



Part No.	Measurement	Range	Resolution	Accuracy
4831-20A	crown height	0-.4"/0-7mm	.0005"/0.01mm	±.0012"
	fillet weld throat size	0-.8"/0-20mm	.0005"/0.01mm	±.0039"
	angle	60°, 70°, 80°, 90°	—	±1°