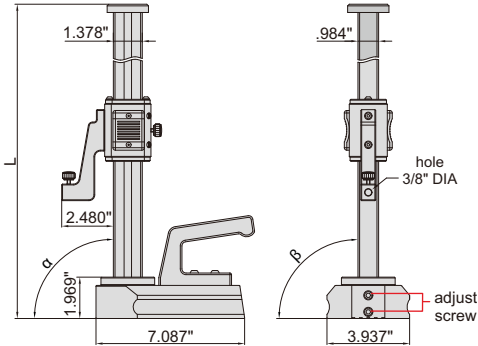


PERPENDICULARITY TESTERS



dial test indicator is optional

4770-300E

- Optional accessory: dial test indicators, cylinder square (part no. 4710, for calibration), granite square (part no. 4141, for calibration)

Part No.	Range (H)	Perpendicularity (α)	Side perpendicularity (β)	L
4770-300E	0-12"	.00012"	.00040"	18.110"
4770-600E	0-24"	.00020"	.00080"	29.921"