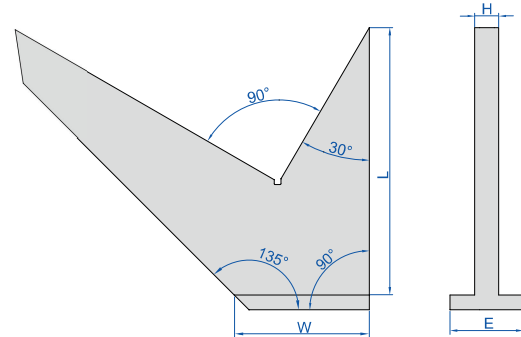


SPECIAL SQUARES

- Made of stainless steel, not hardened



4765-92



Part No.	Size (LxW)	Angle	Accuracy	H	E
4765-92	3.6×1.9"	30°,90°,135°	.00118"	.197"	.984"
4765-110	4.3×2.3"	30°,90°,135°	.00130"	.197"	.984"
4765-130	5.1×2.8"	30°,90°,135°	.00130"	.197"	.984"
4765-175	6.9×3.7"	30°,90°,135°	.00150"	.236"	.984"
4765-225	8.9×4.6"	30°,90°,135°	.00170"	.276"	1.181"
4765-256	10.1×5.6"	30°,90°,135°	.00177"	.315"	1.181"