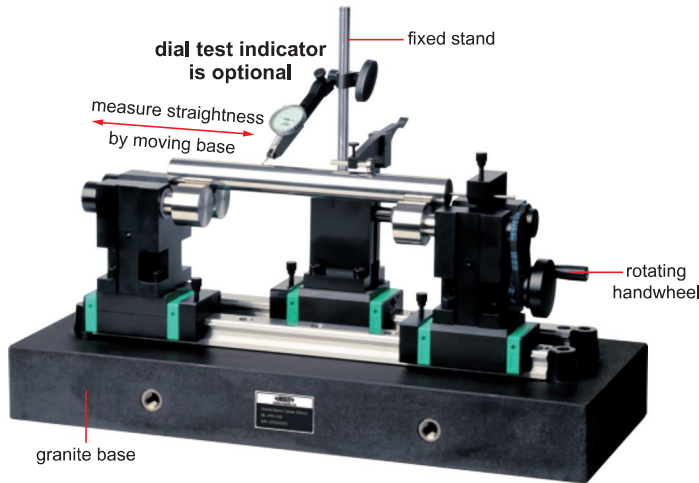
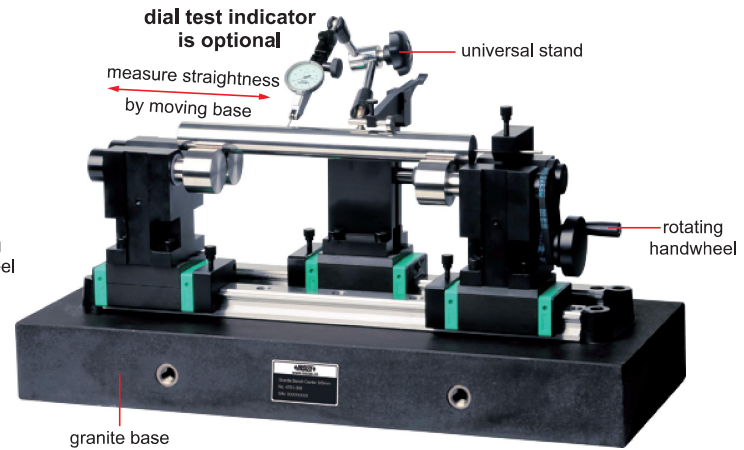


## BENCH CENTERS WITH STRAIGHTNESS MEASUREMENT

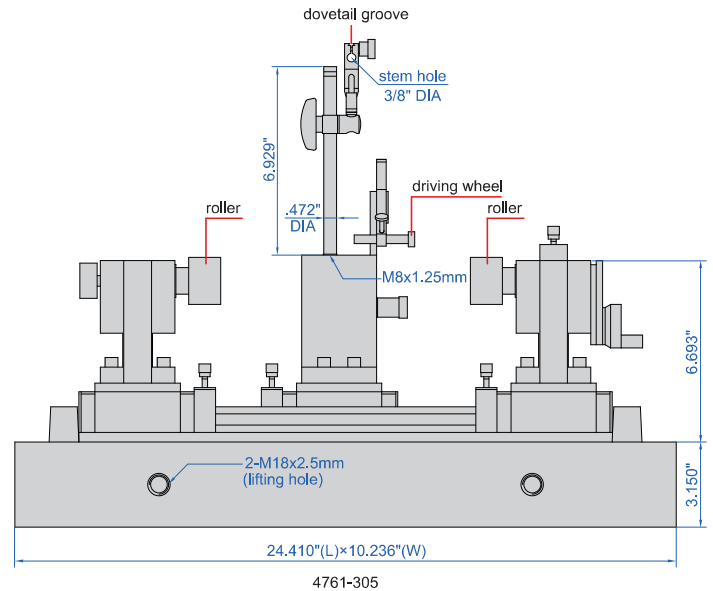


4761-305E



4761-306E

- Quick positioning, suitable for mass measurement
- Optional accessory: dial test indicators (part no. 2380-301, 2381-301, 2834-008)



| Part No.  | Runout accuracy | Straightness measurement accuracy | Diameter range       | Workpiece length | Net weight | Remarks                               |
|-----------|-----------------|-----------------------------------|----------------------|------------------|------------|---------------------------------------|
| 4761-305E | .00008"         | .00079"                           | .394" DIA~4.724" DIA | 0~12.008"        | 121lb      | fixed stand, high rigidity            |
| 4761-306E | .00008"         | .00079"                           | .394" DIA~4.724" DIA | 0~12.008"        | 121lb      | universal stand, convenient operation |