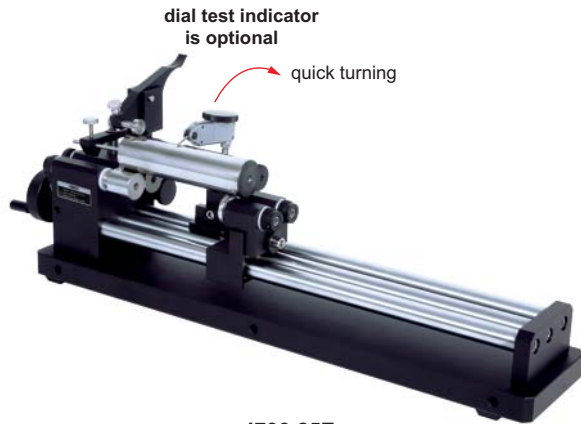
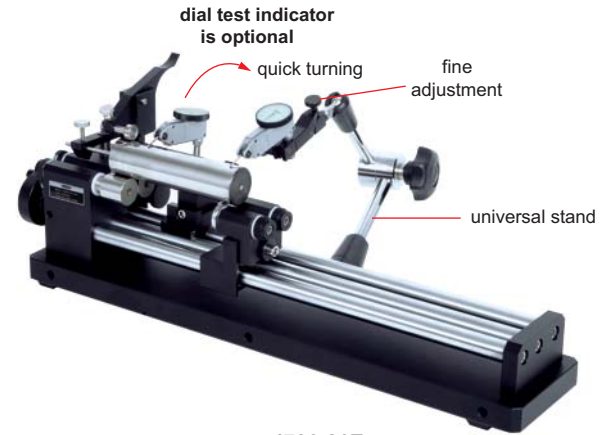


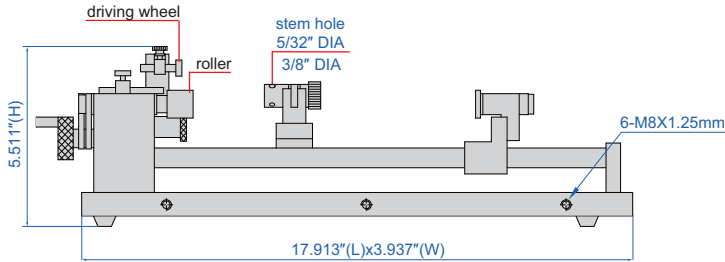
CONCENTRICITY GAUGES



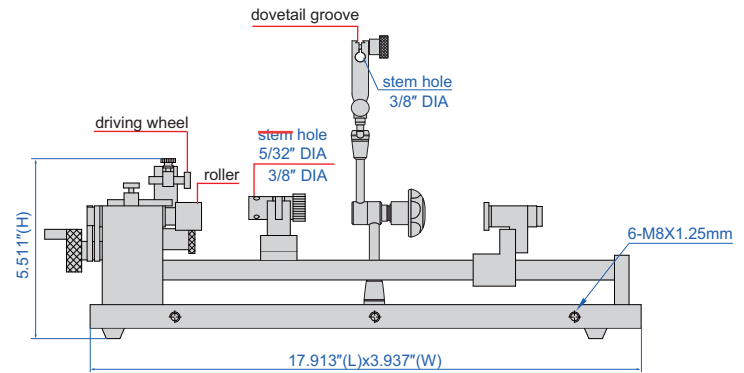
4736-25E



4736-26E



4736-25E



4736-26E

standard rod (included)



- Quick positioning, suitable for mass measurement
- Supplied with standard rod to verify accuracy
- Optional accessory: dial test indicators

Part No.	Diameter range	Workpiece length	Accuracy	L×W×H	Weight	Remark
4736-25E	.118"- .981"	.591"-12.007"	.00008"	17.913"×3.937"×5.511"	13lb	without universal stand
4736-26E	.118"- .981"	.591"-12.007"	.00008"	17.913"×3.937"×5.511"	14lb	with universal stand