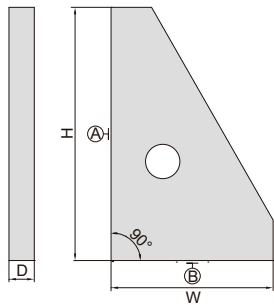


GRANITE SQUARES

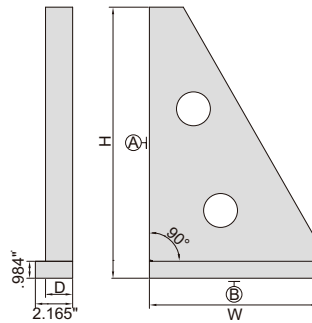
CUSTOM-MADE
SUPPLY SPECIAL SIZES ACCORDING
TO CUSTOMER'S REQUEST



type A



4141-250



type B



4141-400B

Part No.	Size (HxW)	Type	Flatness of A	Flatness of B	Squareness of A to B	D
4141-250	9.8x6.3"	A	39 μ in	39 μ in	79 μ in	.984"
4141-400	15.7x9.8"	A	59 μ in	39 μ in	118 μ in	1.575"
4141-630	24.8x15.7"	A	79 μ in	59 μ in	157 μ in	2.480"
4141-400B	15.7x9.8"	B	59 μ in	39 μ in	118 μ in	1.575"