

IP65
WATERPROOF

DATA
OUTPUT

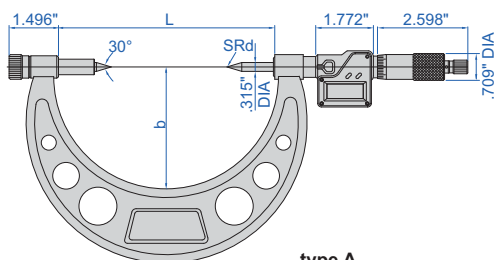
DIGITAL GEAR ROOT DIAMETER MICROMETERS



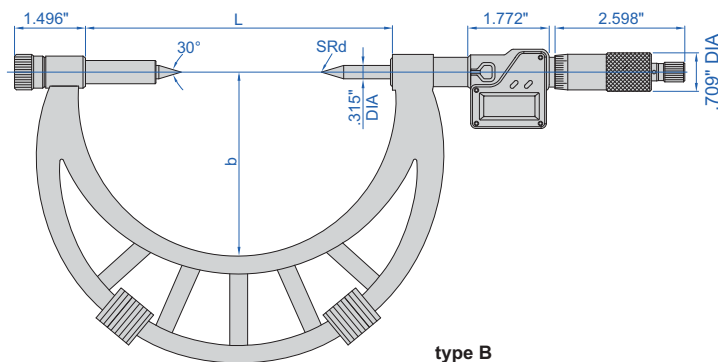
3597-4



3597-12



type A



type B

- Measure diameter of gear root circle
- IP65 dust/waterproof
- Button function: on/off, set, inch/mm, data transmit
- Data output
- Automatic power off
- Ratchet stop
- Carbide measuring faces
- Supplied with setting standards
- Optional accessory:
 - data output cable (code **7302-31**)
 - wireless data transmission (transmitter code **7315-31**, need receiver)

Part No.	Range	Type	Accuracy	Resolution	L	b	SRd
3597-4	0.2-4"/5-100mm	A	.00015"	.00005"/0.001mm	5.394"	2.835"	.016"
3597-8	4-8"/100-200mm	A	.00020"	.00005"/0.001mm	9.331"	5.079"	.016"
3597-12	8-12"/200-300mm	B	.0002"	.0001"/0.001mm	16.300"	8.859"	.028"
3597-16	12-16"/300-400mm	B	.0003"	.0001"/0.001mm	20.236"	10.827"	.028"
3597-20	16-20"/400-500mm	B	.0003"	.0001"/0.001mm	24.173"	12.795"	.028"
3597-24	20-24"/500-600mm	B	.0004"	.0001"/0.001mm	28.110"	14.764"	.028"
3597-28	24-28"/600-700mm	B	.0004"	.0001"/0.001mm	32.047"	16.732"	.028"
3597-32	28-32"/700-800mm	B	.0004"	.0001"/0.001mm	35.984"	18.701"	.028"
3597-36	32-36"/800-900mm	B	.0004"	.0001"/0.001mm	39.921"	20.669"	.028"