

# CARBON FIBER BORE GAUGES WITH INTERCHANGEABLE POINTS

SPRING LOADED MEASURING POINT



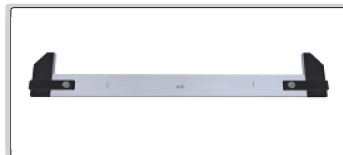
3526-1500

- Carbon fiber extension rods, light weight, not easy to deform, low thermal expansion
- Data output
- Button function: on/off, zero, tolerance Go and No-Go display, data preset, measuring direction change, max./min./TIR measurement, inch/metric conversion, absolute/incremental measurement
- 16.929" (430mm) standard setting gauge is included
- Optional accessory: wireless transmitter part no. **7315-51** (receiver is needed)

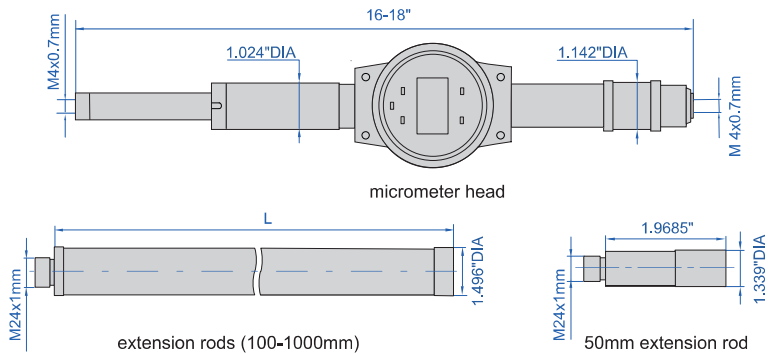
### Extension rods

Length (L)	Accuracy	Weight	Material
50mm	±2µm	0.5 lb	steel
100mm	±3µm	0.7 lb	carbon fiber
200mm	±4.5µm	0.9 lb	carbon fiber
300mm	±6µm	1.0 lb	carbon fiber
600mm	±9µm	1.6 lb	carbon fiber
1000mm	±11µm	2.2 lb	carbon fiber

430mm standard setting gauge (included) for micrometer head zero setting



- DATA OUTPUT
- POINTS CAN BE CUSTOMIZED
- CARBON FIBER EXTENSION RODS, LIGHT WEIGHT, NOT EASY TO DEFORM, LOW THERMAL EXPANSION



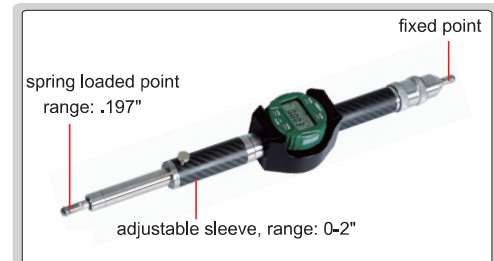
### Micrometer head

Range	Resolution	Accuracy	Repeatability	Weight
17-18.9"	.00005"/0.001mm	± .00015"	± .00010"	2.2 lb

### Metric

Part No.	Range*	Weight	Extension rods
3526-1000	430-1030mm	8.4lb	50mm, 100mm, 200mm, 300mm
3526-1500	430-1530mm	9.9lb	50mm, 100mm, 200mm, 300mm, 600mm
3526-2000	430-2030mm	11.7lb	50mm, 100mm, 200mm, 300mm, 600mm (2 pcs)
3526-2400	430-2430mm	13.2lb	50mm, 100mm, 200mm, 300mm, 600mm (3 pcs)
3526-3400	430-3430mm	14.8lb	50mm, 100mm, 200mm, 300mm, 600mm (4 pcs)
3526-6400	430-6430mm	20.9lb	50mm, 100mm, 200mm, 300mm, 600mm, 1000mm (5 pcs)

spring loaded point, and max./min. value tracking make it easy to find the right measuring position



\*When ball points installed

### Screw thread points (optional)\*

#### Internal thread (60° thread angle)

Part No.	Pitch
7321-T11	64-48TPI/0.4-0.5mm
7321-T12	44-28TPI/0.6-0.9mm
7321-T13	24-14TPI/1-1.75mm
7321-T14	13-9TPI/2-3mm
7321-T15	8-5TPI/3.5-5mm
7321-T16	4.5-3.5TPI/5.5-7mm
7321-T1S	6 pairs/set, including all above points

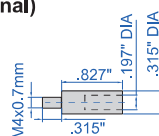


7321-T16



#### Point sleeve (optional)

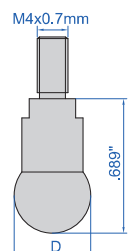
Part No. **3526-T101**



### Ball points (optional)\*

- Supplied in pairs
- Made of carbide
- D accuracy: ±.00012"

Part No.	D
3525-1H4	1/4" DIA
3525-3H8	3/8" DIA
3525-1H2	1/2" DIA
3525-5H8	5/8" DIA



\*Point sleeve (part no. **3526-T101**) is needed

\*Points can be customized