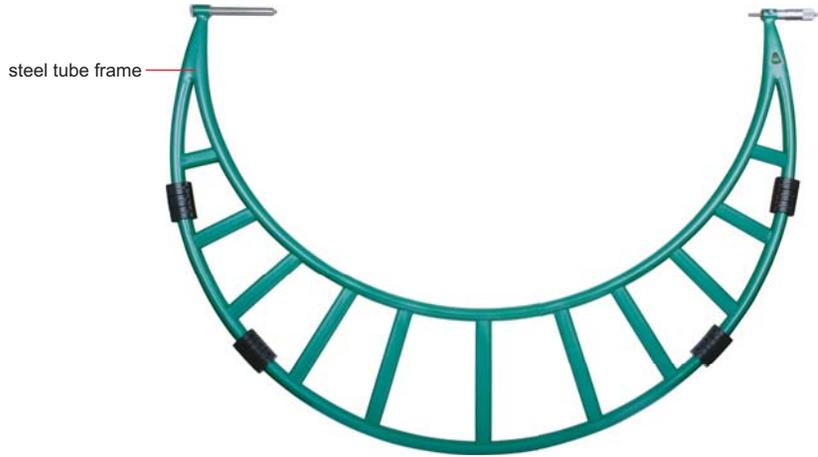


OUTSIDE MICROMETERS WITH EXTENSION ANVIL COLLAR

- Adjust collars for different measuring ranges
- Ratchet stop
- Carbide measuring faces
- Supplied with setting standards



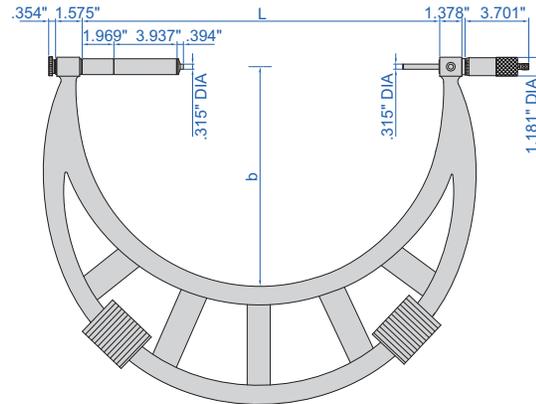
3205-56



adjust collars for different measuring ranges



setting standard (included)



Part No.	Range	Accuracy	Graduation	L	b	Setting standard (included)
3205-48	40-48"	.00085"	.0005"	47.638"	25.394"	42", 46"
3205-56	48-56"	.00095"	.0005"	55.512"	29.331"	50", 54"
3205-64	56-64"	.00110"	.0005"	63.386"	33.268"	58", 62"
3205-72	64-72"	.00125"	.0005"	71.260"	37.205"	66", 70"
3205-80	72-80"	.00135"	.0005"	79.134"	41.142"	74", 78"