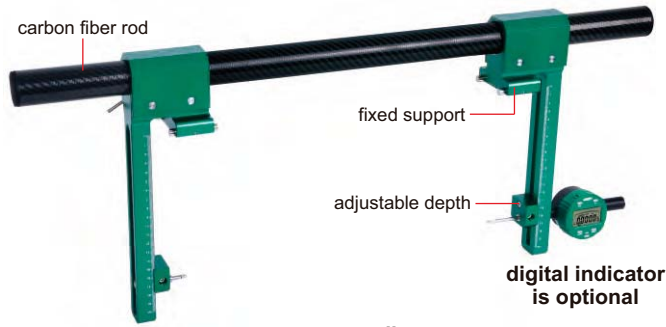


CARBON FIBER COMPARISON GAGES

CARBON FIBER RODS, LIGHT WEIGHT, NOT EASY TO DEFORM, NO TEMPERATURE EXPAND, SUITABLE FOR THIN-WALL WORKPIECES AND LARGE-SIZE WORKPIECES



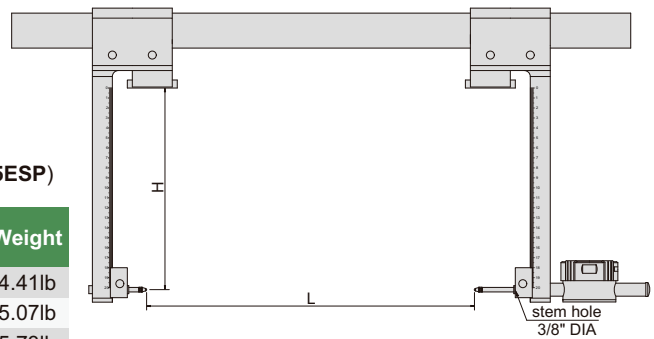
measure outer diameter
2931-D1000BE



measure inside diameter,
minimum diameter is 9"



- Measure outer diameter, inside diameter, holes distance and cylindrical workpiece length
- Carbon fiber rods, light weight, not easy to deform, no temperature expand
- Optional accessory: cylinder gage blocks (part no. 4001), digital indicators (part no. 2138-25ESP/2139-25ESP/2103-25ESP/2104-25ESP)



Part No.	Maximum measuring range (L)	Measuring depth (H)	Repeatability	Weight
2931-D1000AE	40"	0-4"/0-100mm	.0002"	4.41lb
2931-D1000BE	40"	0-8"/0-200mm	.0004"	5.07lb
2931-D1000CE	40"	0-12"/0-300mm	.0010"	5.73lb
2931-D1500AE	60"	0-4"/0-100mm	.00035"	5.07lb
2931-D1500BE	60"	0-8"/0-200mm	.0006"	5.73lb
2931-D1500CE	60"	0-12"/0-300mm	.0012"	6.39lb
2931-D2000AE	80"	0-4"/0-100mm	.0004"	5.73lb
2931-D2000BE	80"	0-8"/0-200mm	.0008"	6.39lb
2931-D2000CE	80"	0-12"/0-300mm	.0014"	7.05lb
2931-D2500AE	100"	0-4"/0-100mm	.0005"	6.39lb
2931-D2500BE	100"	0-8"/0-200mm	.0010"	7.05lb
2931-D2500CE	100"	0-12"/0-300mm	.0020"	7.72lb
2931-D3000AE	120"	0-4"/0-100mm	.0006"	7.05lb
2931-D3000BE	120"	0-8"/0-200mm	.0012"	7.72lb
2931-D3000CE	120"	0-12"/0-300mm	.0024"	8.38lb
2931-D4000AE	160"	0-4"/0-100mm	.00065"	8.38lb
2931-D4000BE	160"	0-8"/0-200mm	.0014"	9.06lb
2931-D4000CE	160"	0-12"/0-300mm	.0026"	9.70lb
2931-D5000AE	200"	0-4"/0-100mm	.0010"	9.70lb
2931-D5000BE	200"	0-8"/0-200mm	.0016"	10.36lb
2931-D5000CE	200"	0-12"/0-300mm	.0028"	11.02lb
2931-D6000AE	240"	0-4"/0-100mm	.00115"	18.52lb
2931-D6000BE	240"	0-8"/0-200mm	.0020"	19.40lb
2931-D6000CE	240"	0-12"/0-300mm	.00315"	20.28lb
2931-D7000AE	280"	0-4"/0-100mm	.0012"	20.28lb
2931-D7000BE	280"	0-8"/0-200mm	.0022"	21.16lb
2931-D7000CE	280"	0-12"/0-300mm	.00395"	22.05lb
2931-D8000AE	320"	0-4"/0-100mm	.0013"	22.05lb
2931-D8000BE	320"	0-8"/0-200mm	.0024"	22.93lb
2931-D8000CE	320"	0-12"/0-300mm	.00435"	23.81lb
2931-D9000AE	360"	0-4"/0-100mm	.0014"	23.59lb
2931-D9000BE	360"	0-8"/0-200mm	.0028"	24.47lb
2931-D9000CE	360"	0-12"/0-300mm	.00475"	25.35lb

