

HIGH PRECISION ELECTRONIC THICKNESS GAGES

ABSOLUTE ENCODER, THE ORIGINAL
DATA REMAINS AFTER POWER OFF

DATA
OUTPUT

ATTENTION: RECHARGEABLE BATTERY,
FOR 12 HOURS CONTINUOUS WORKING

MEASURING TIPS AND ANVILS
CAN BE CUSTOM-MADE



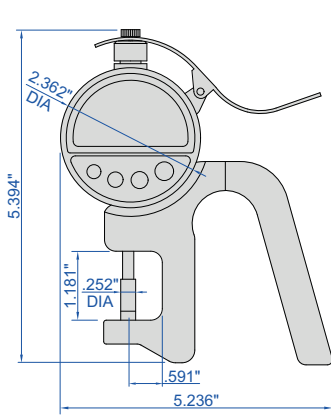
2879-10



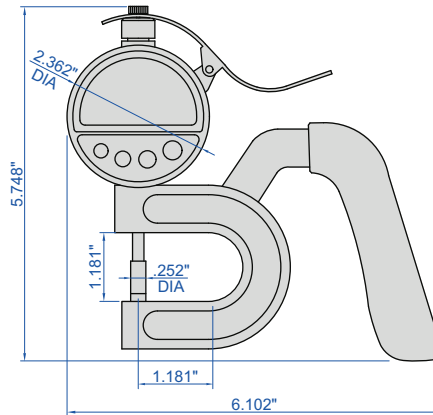
2879-30



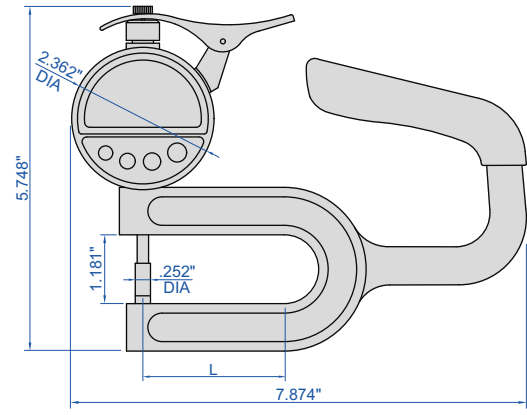
2879-60



2879-10
2879-101



2879-30



2879-60
2879-100

- Absolute encoder, the original data remains after power off
- Button function: on/off, zero, tolerance, absolute/incremental measurement, max./min./TIR, data preset, mm/inch, data output, data hold
- Measuring force: .11-.22lbf
- Reading in digital and analog
- Power: rechargeable battery, for 12 hours continuous working
- Data output
- Supplied with data output cable (keyboard format)

Part No.	Range	Resolution	Accuracy	Repeatability	L
2879-10	0-.4"/0-10mm	.00005"/0.001mm	±.0001"	.00005"	—
2879-101	0-.4"/0-10mm	.00002"/0.0005mm	±.00006"	.00002"	—
2879-30	0-.4"/0-10mm	.00005"/0.001mm	±.0001"	.00005"	—
2879-60	0-.4"/0-10mm	.00005"/0.001mm	±.00015"	.00005"	2.36"
2879-100	0-.4"/0-10mm	.00005"/0.001mm	±.0002"	.00005"	3.94"