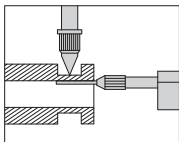


# DIGITAL TUBE THICKNESS GAGE

DATA  
OUTPUT

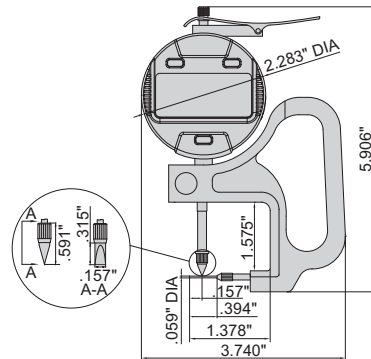
measure wall  
thickness of grooves



- Buttons: on/off, inch/mm, zero, data preset, change measuring direction, absolute/incremental measurement
- Keep preset data in memory after restart
- Battery CR2032, automatic power off (time is adjustable)
- Data output
- Optional accessory: data output cable (code **7315-50M**, **7302-50M**)



**2873-10**



Part No.	Range	Resolution	Accuracy
<b>2873-10</b>	0-.4"/0-10mm	.0005"/0.01mm	±.001"
<b>2873-101</b>	0-.4"/0-10mm	.00005"/0.001mm	±.00015"