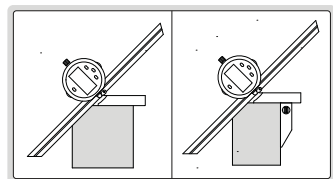
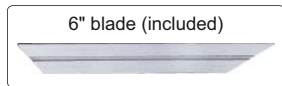


# DIGITAL PROTRACTOR (BASIC TYPE)



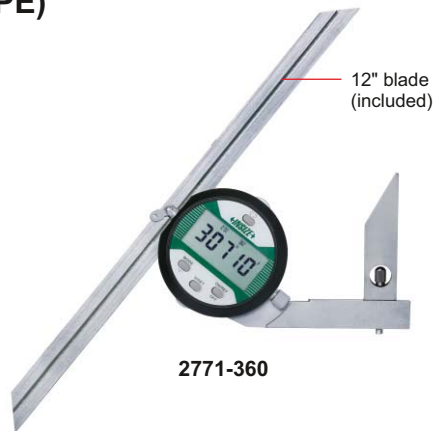
- Absolute zero, zero setting is not needed when batteries are replaced
- Button function: choose 0-90°, 0-180° or 0-360° display, change resolution, display flips over, data hold, zero, on/off supplementary angle measurement
- Battery CR2032, automatic power off
- Made of stainless steel
- Optional square for zero setting
- Optional accessory: clamp (part no. **2372-CLAMP**), suitable for height gages **1156**, **1351** and **1250**

Part No.	Range	Resolution	Accuracy
<b>2771-360</b>	0-360°	1/0.01°	±5'

Square (zero setting, optional)

<b>Part No.</b>
<b>2771-S90</b>

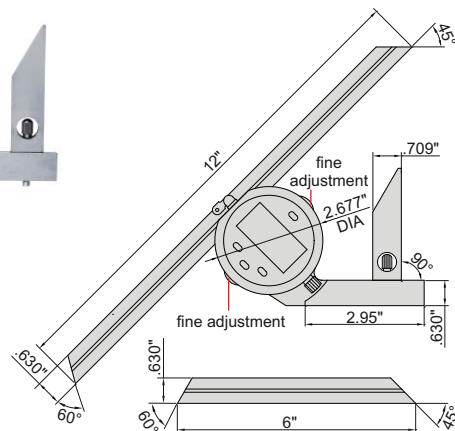
square (optional)



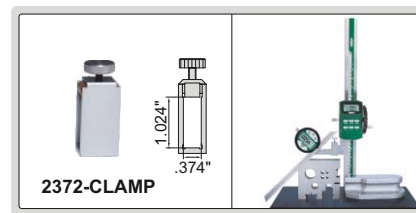
**2771-360**

**ABSOLUTE  
ZERO**

**ATTENTION:  
NO DATA OUTPUT**



clamp for height gages (optional)



**2372-CLAMP**