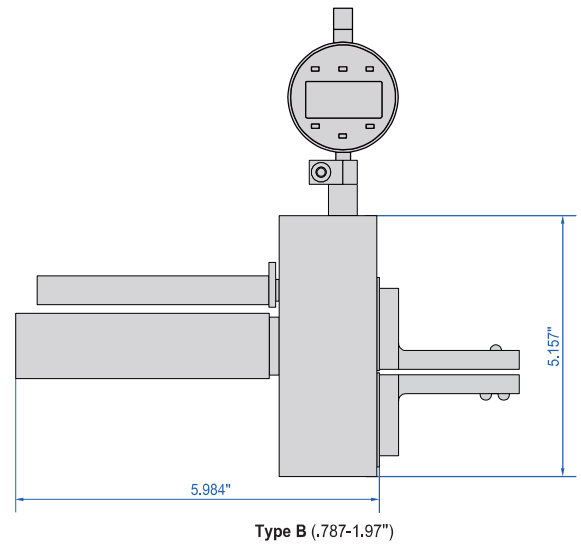
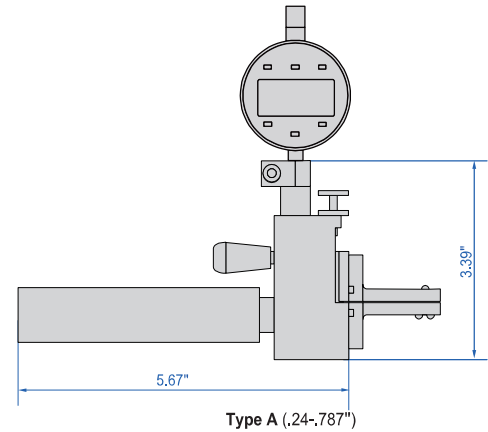
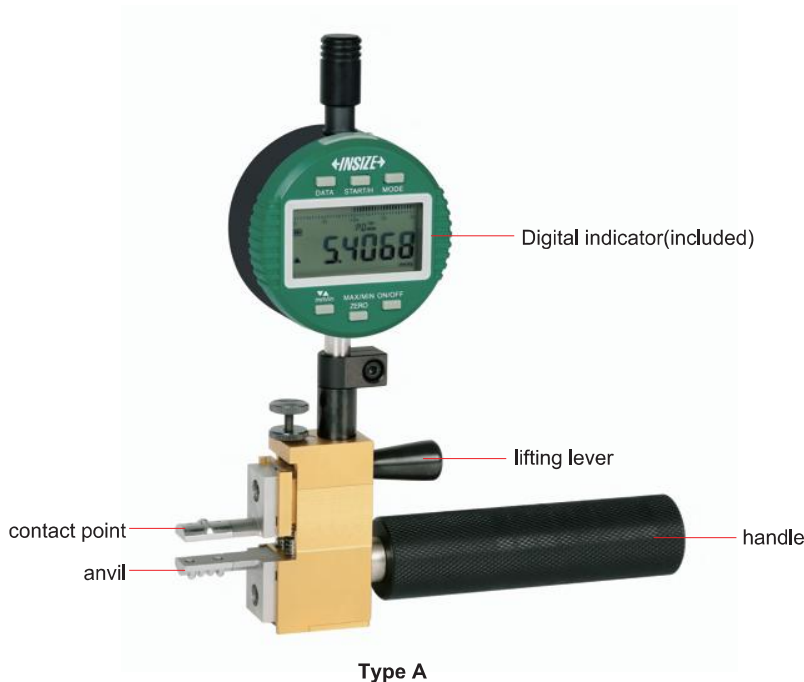


BALL NUT PITCH CIRCLE DIAMETER COMPARATORS

PROBE AND CALIBRATION RING GAUGE
NEED TO BE CUSTOMIZED ACCORDING TO WORKPIECE

DATA
OUTPUT



- Measuring pitch circle diameter of ball nuts
- Probe and calibration ring gauge need to be customized according to workpiece
- Adjustable resolution: .00002"/0.0005mm
.00005"/0.001mm
.0005"/0.01mm
- Digital indicator with absolute encoder, the original data remains after power off
- Digital indicator button function: data output, tolerance, data preset, data hold, measuring direction change, max./min./TIR, power off time, on/off, mm/inch, resolution adjustment
- Digital indicator power: rechargeable battery, for 24 hours continuous working
- Optional accessory: wireless transmitter (part no. 7315-60, receiver is needed)

Part No.	Range	Contact point opening range	Effective stroke of anvil	Accuracy*	Repeatability
2678-A□□□□□	.24-.787"/6-20mm	.236"/6mm	.004"/0.1mm	.0002"	.00008"
2678-B□□□□□	.787-1.97"/20-50mm	.591"/15mm	.004"/0.1mm	.0002"	.00008"

*Within the effective stroke of the anvil, the accuracy meets .0002"

Part No. examples:

Part No.	Pitch circle diameter to be measured
2678-A12D3	12.3mm
2678-B28D5	28.5mm

Attention: "D"stands for "."