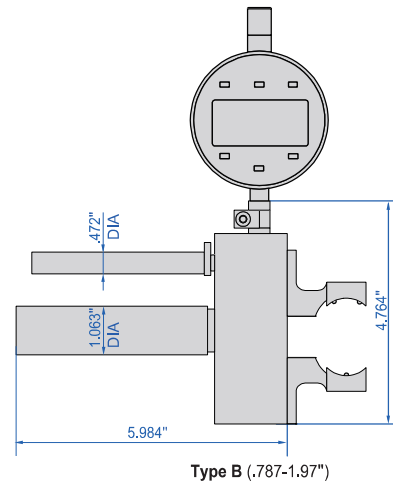
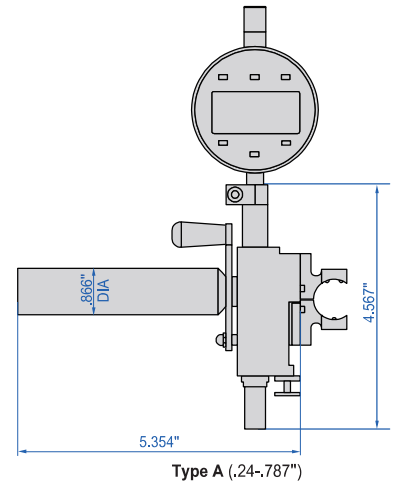
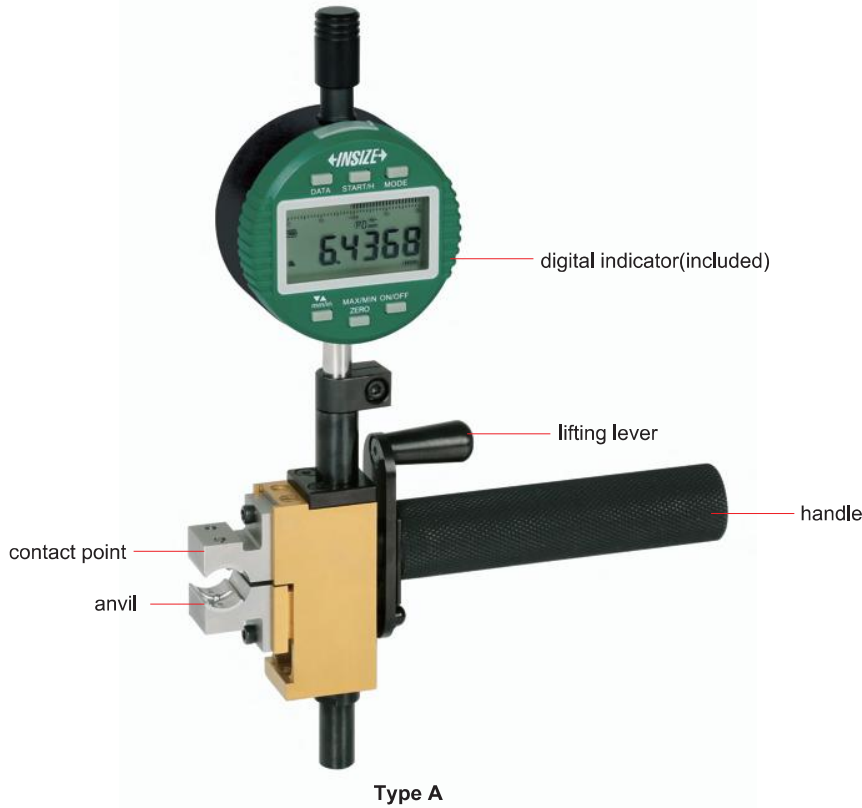


# BALL SCREW PITCH CIRCLE DIAMETER COMPARATORS

PROBE AND CALIBRATION PLUG GAUGE  
NEED TO BE CUSTOMIZED ACCORDING TO WORKPIECE

DATA  
OUTPUT



- Measuring pitch circle diameter of ball screws
- Probe and calibration plug gauge need to be customized according to workpiece
- Adjustable resolution: .00002"/0.0005mm  
.00005"/0.001mm  
.0005"/0.01mm
- Digital indicator with absolute encoder, the original data remains after power off
- Digital indicator button function: data output, tolerance, data preset, data hold, measuring direction change, max./min./TIR, power off time, on/off, mm/inch, resolution adjustment
- Digital indicator power: rechargeable battery, for 24 hours continuous working
- Optional accessory: wireless transmitter (part no. 7315-60, receiver is needed)

Part No.	Range	Contact point opening range	Effective stroke of anvil	Accuracy*	Repeatability
2677-A□□□□□	.24-.787"/6-20mm	.236"/6mm	.004"/0.1mm	.0002"	.00008"
2677-B□□□□□	.787-1.97"/20-50mm	.591"/15mm	.004"/0.1mm	.0002"	.00008"

\*Within the effective stroke of the anvil, the accuracy meets .0002"

### Part No. examples:

Part No.	Pitch circle diameter to be measured
2677-A12D3	12.3mm
2677-B28D5	28.5mm

Attention: "D" stands for "."