

# LONG STYLI DIAL TEST INDICATOR

JEWELLED  
BEARING

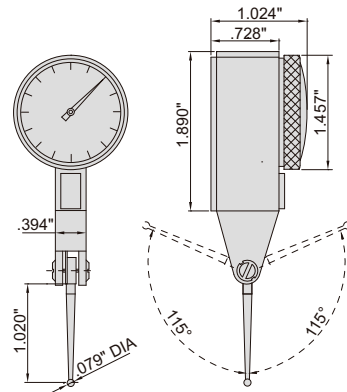
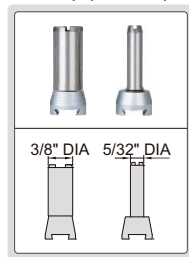
**INSPECTION  
CERTIFICATE**  
TRACEABLE TO NIST



**2383-35A**

- Jeweled bearing
- Carbide contact point
- Two measuring directions
- Anti magnetic body
- Supplied with two clamps:  
5/32" DIA and 3/8" DIA
- Optional accessory: styli (page 77)

clamp (included)



Part No.	Range	Graduation	Accuracy	Dial reading
<b>2383-35A*</b>	.03"	.0005"	±.0005"	0-15-0

\* Supplied with manufacturer inspection certificate traceable to NIST