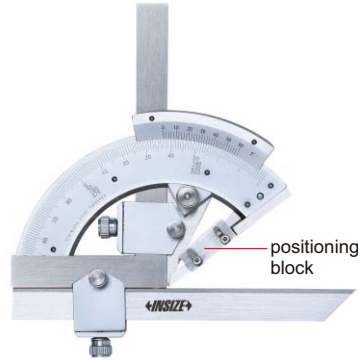


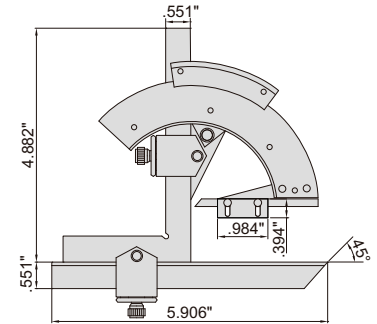
PROTRACTORS



2374-320



2374-320D

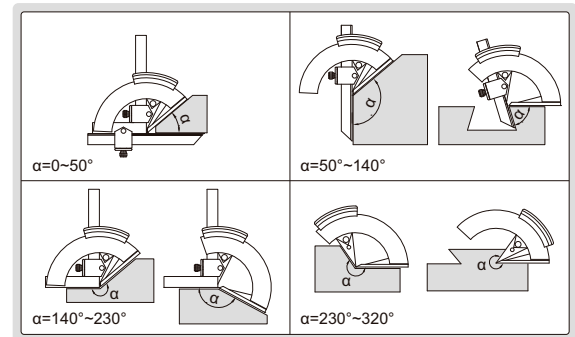


application of 2374-320D



The positioning block can be moved down for positioning, and moved up when not needed

- Made of stainless steel
- Satin chrome plated scale



Part No.	Range	Graduation	Accuracy	Remark
2374-320	0-320°	2'	±2'	without positioning block
2374-320D	0-320°	2'	±2'	with positioning block