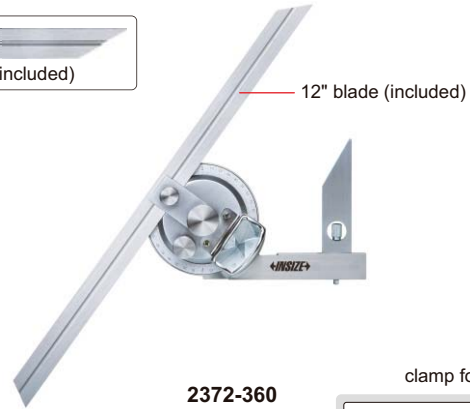
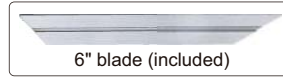
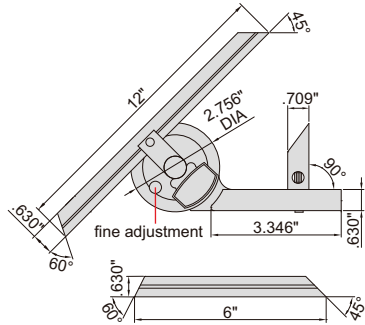
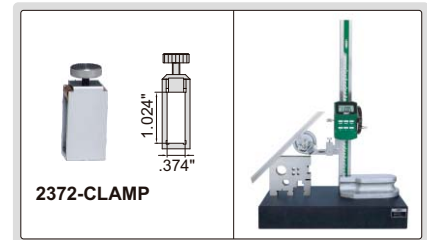


UNIVERSAL PROTRACTOR



clamp for height gages (optional)



- Parallax-free reading
- Made of stainless steel
- Optional accessory: clamp (part no. **2372-CLAMP**), suitable for height gages **1156**, **1351** and **1250**

Part No.	Range	Graduation	Accuracy
2372-360	0-360°	5'	±5'