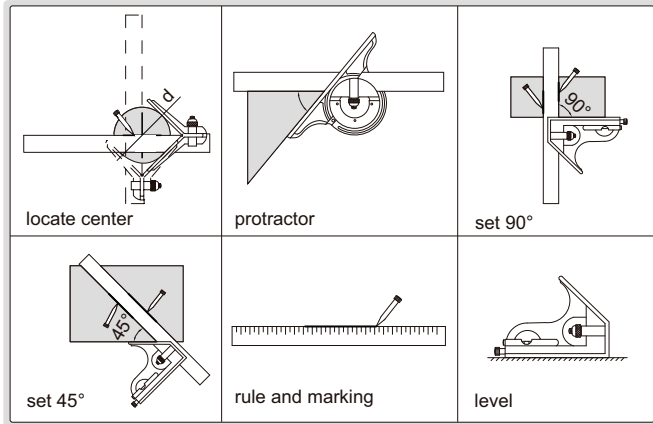


COMBINATION SQUARE SETS



2278-2

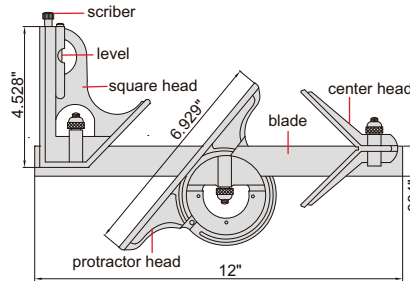


2278-3



2278-180

- Center head (made of cast iron):
To locate center of cylinder with diameter (d): 1.181" DIA-3.937" DIA
Accuracy: $\pm 0.006"$
- Protractor head (made of cast iron):
To set the blade at desired angle to an edge of a workpiece, and can be used to measure angles
- Range: 0-180°, accuracy: $\pm 20\text{min}$.
Square head (made of cast iron):
To set the blade at 90° or 45° to an edge of a workpiece
Accuracy: $\pm 8\text{min}$ for 90° square,
 $\pm 10\text{min}$ for 45° square
- Optional accessory: rigid rule (part no. 7113)



Part No.	Remark	Blade range	Blade graduation
2278-2	2-piece set	12"/300mm	1/32" and 0.5mm on front face, 1/64" and 1mm on back face
2278-2E	2-piece set	12"	1/8" and 1/16" on front face, 1/32" and 1/64" on back face
2278-3	3-piece set	12"/300mm	1/32" and 0.5mm on front face, 1/64" and 1mm on back face
2278-3E	3-piece set	12"	1/8" and 1/16" on front face, 1/32" and 1/64" on back face
2278-180	4-piece set	12"/300mm	1/32" and 0.5mm on front face, 1/64" and 1mm on back face
2278-180E	4-piece set	12"	1/8" and 1/16" on front face, 1/32" and 1/64" on back face