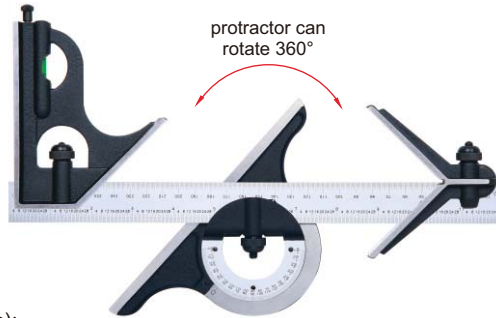
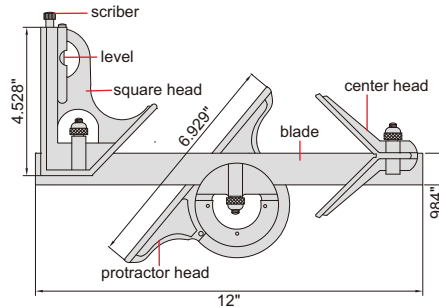


COMBINATION SQUARE SET



2274-4

- Center head (made of cast iron): to locate center of cylinders with diameter (d): 1.181" DIA-3.937" DIA accuracy: $\pm 0.006"$
- Protractor head (made of cast iron): set the blade at desired angle to an edge of a workpiece, and can be used to measure angles range: 0-180° accuracy: $\pm 20\text{min.}$
- Square head (made of cast iron): set the blade at 90° or 45° to an edge of a workpiece accuracy: $\pm 8\text{min.}$ for 90° square, $\pm 10\text{min.}$ for 45° square
- Blade (made of stainless steel): range: 12"/300mm, graduation: 1/32" and 0.5mm on front face, 1/64" and 1mm on back face
- Optional accessory: rigid rule (part no. 7113)



Part No.	Remark
2274-4	4-piece set

