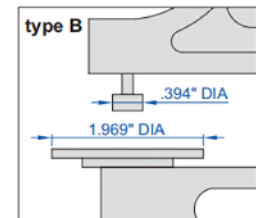
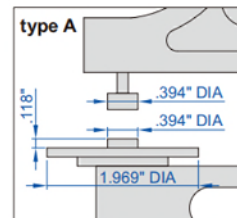
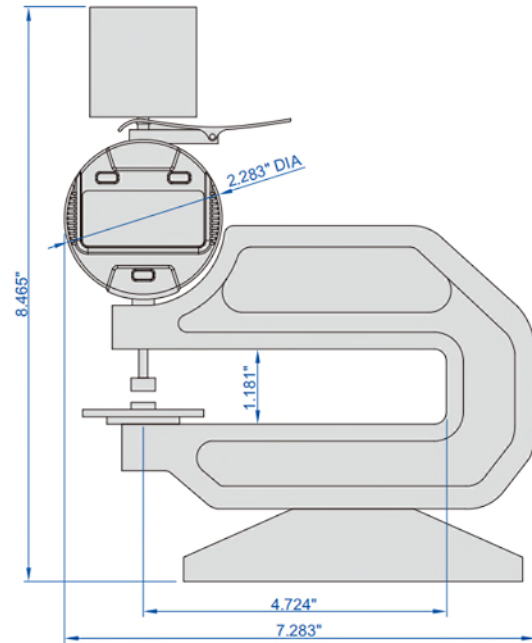


DIGITAL LEATHER THICKNESS GAUGES

DATA
OUTPUT

2262-10

- Measure thickness of leather
- Buttons: on/off, inch/mm, zero, data preset, change measuring direction, absolute/incremental measurement
- Keep preset data in memory after restart
- Battery CR2032, automatic power off (time is adjustable)
- Data output
- Optional accessory: data output cable (part no. 7315-50M, 7302-50M)



Part No.	Range	Resolution	Accuracy	Type
2262-10	0-.4"/0-10mm	.0005"/0.01mm	±.001"	A
2262-10B	0-.4"/0-10mm	.0005"/0.01mm	±.001"	B