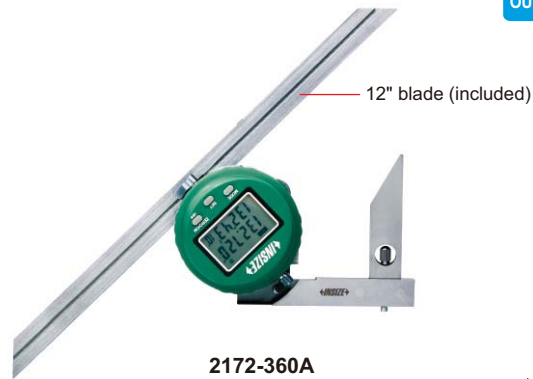
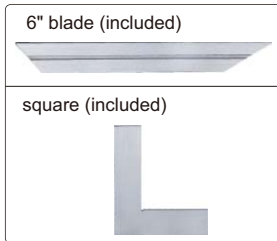
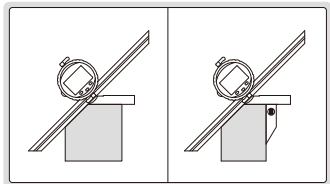


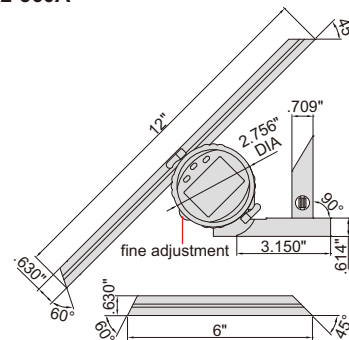
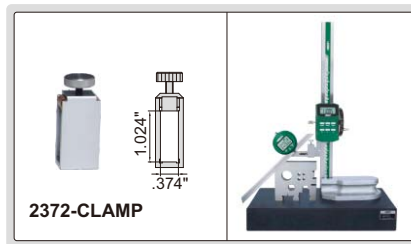
DIGITAL PROTRACTOR

DATA
OUTPUT



- Display in degree (for example 32.655°) and degree/minute/second (for example 32°39'30")
- SET button: preset the reading, change measuring direction
- MODE button: choose 0~90°, 0~180° or 0~360° display
- ZERO/ON/OFF button: zero and power on/off
- Battery CR2032, automatic power off
- Data output
- Supplied with square to set 90°
- Made of stainless steel
- Optional accessory: data output cable (part no. **7315-50**, **7302-SPC3B**), clamp (part no. **2372-CLAMP**), suitable for height gages **1156**, **1351** and **1250**

clamp for height gages (optional)



Part No.	Range	Resolution	Accuracy
2172-360A	0-360°	10"/0.005°	±5'