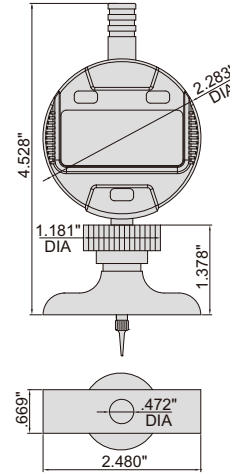


DATA
OUTPUT

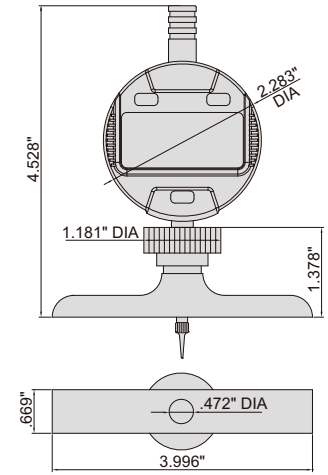
DIGITAL DEPTH GAGES



2141-202A



2141-201A/2141-301

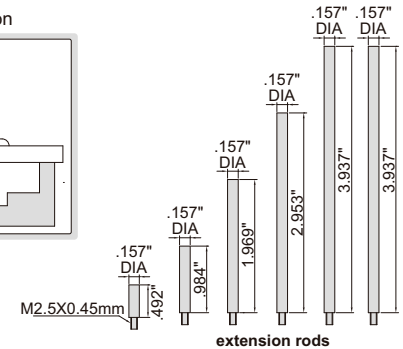
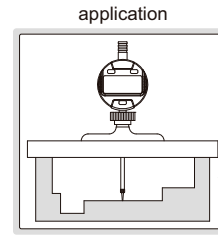
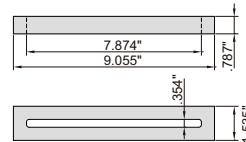


2141-202A/2141-302

- Button function: on/off, zero, inch/mm, ABS, data preset, change measuring direction
- CR2032 battery
- Automatic power off (time is adjustable)
- Data output
- Stainless steel base
- Supplied with pointed tip and ball tip
- Optional accessory: data output cable (part no. 7315-50M, 7302-40M), granite extension holder (part no. 2141-10)

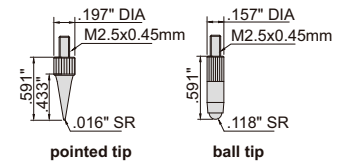


2141-10 (optional), can be customized according to workpieces



extension rods

Part No.	Range	Digital indicator stroke	Digital indicator resolution	Accuracy	Base
2141-201A	0-12"/0-300mm	.5"/12.7mm	.0005"/0.01mm	±.0008"	2.480 x .669"
2141-202A	0-12"/0-300mm	.5"/12.7mm	.0005"/0.01mm	±.0008"	3.996 x .669"
2141-301	0-12"/0-300mm	.5"/12.7mm	.00005"/0.001mm	±.0002"	2.480 x .669"
2141-302	0-12"/0-300mm	.5"/12.7mm	.00005"/0.001mm	±.0002"	3.996 x .669"



pointed tip

ball tip