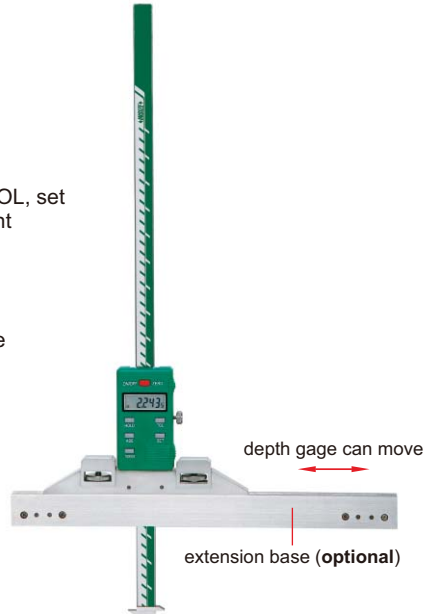


# DIGITAL DOUBLE HOOK DEPTH GAGE

DATA  
OUTPUT

- Resolution .0005"/0.01mm
- Buttons: on/off, zero, inch/mm, ABS/INC, data hold, TOL, set
- ABS/INC is for absolute and incremental measurement
- TOL is for tolerance measurement
- Made of stainless steel
- LR44 battery, data output
- Supplied with gage block for zero setting
- Optional accessory: extension base, data output cable (part no. **7302-SPC7**, keyboard format)

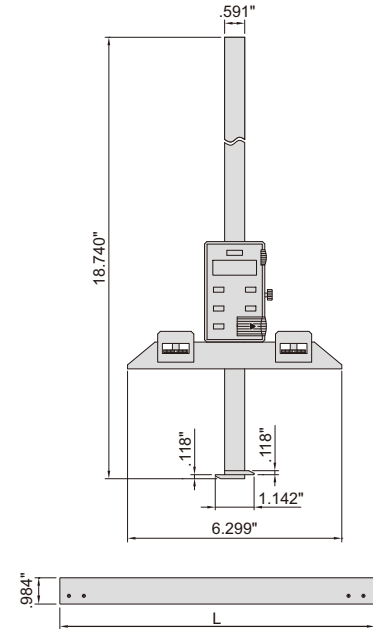
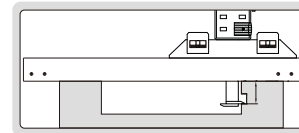
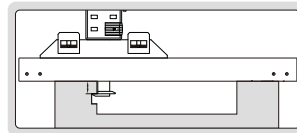


1540-300E

gage block for zero setting  
(included)



Part No.	Range	Accuracy
1540-300E	0-12"/0-300mm	±.0015"



## extension base

Part No.	L
1540-L300	11.811"
1540-L400	15.748"
1540-L500	19.685"
1540-L600	23.622"
1540-L800	31.496"