

# ELECTRONIC DRUM BRAKE CALIPER

DATA  
OUTPUT

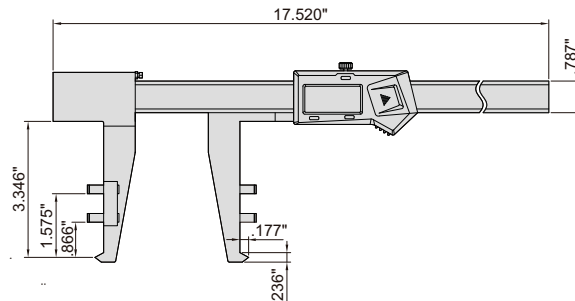
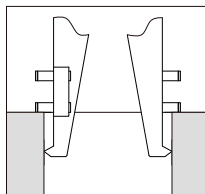


1538-300

calibration block (included)



- Measure internal diameter of drum brakes
- Resolution: .0005"/0.01mm
- Buttons: on/off, zero, inch/mm
- Automatic power off, move the digital unit to turn on power
- Battery CR2032
- Data output
- Made of stainless steel
- Optional accessory: data output cable (part no. 7315-, 7302-, 7305-)



Part No.	Range of upper jaw	Accuracy
1538-300	1.2-12"/30-300mm	±.0020"