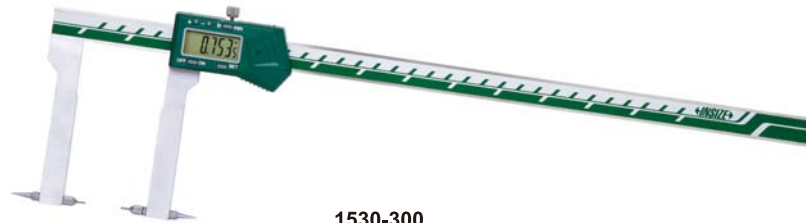


DATA  
OUTPUT

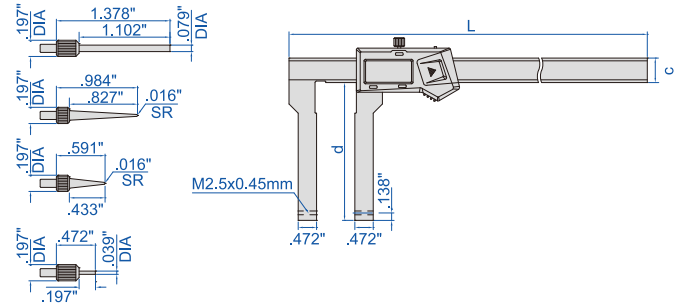
VARIOUS POINTS ARE  
AVAILABLE (PAGE 161~163)

# DIGITAL CALIPERS WITH INTERCHANGEABLE POINTS



1530-300

- Non waterproof
- Supplied with 4 pairs of points and zero setting block for external measurement
- Resolution .0005"/0.01mm
- Buttons: on/off, set, inch/mm, preset (+, -)
- Automatic power off, move the digital unit to turn on power
- Battery CR2032
- Made of stainless steel
- Optional accessory: points (page 161~163), depth stop (part no. **6143**),



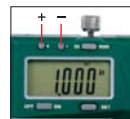
zero setting block for  
external measurement  
(included)



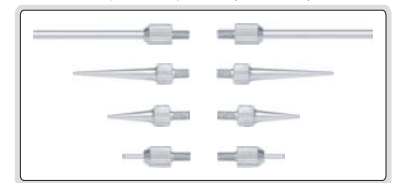
depth stop **6143**  
(optional)



preset buttons



4 pairs of points (included)



Part No.	Range *	Accuracy	L	d	c	Data output cable (optional)
1530-300	0-12"/0-300mm	±.0025"	16.024"	3.543"	.630"	7315-21, 7302-21
1530-500	0-20"/0-500mm	±.0035"	29.134"	3.937"	.945"	7315-22, 7302-22

**Built-in wireless**  
(receiver part no. 7315-2/3/6/7/8/9 is required)

Code	Range *	Accuracy	L	d	c
1530-300WL	0-12"/0-300mm	±.0025"	16.024"	3.543"	.630"
1530-500WL	0-20"/0-500mm	±.0035"	29.134"	3.937"	.945"

\* For different points, the measuring range changes accordingly

measure internal and external grooves

