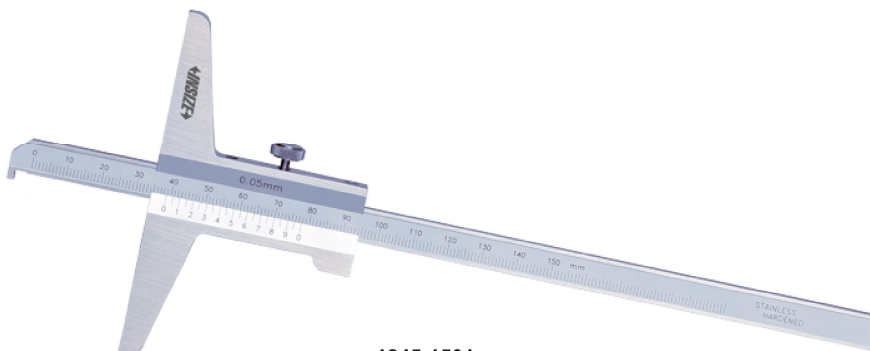
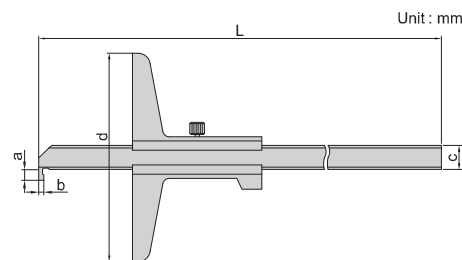
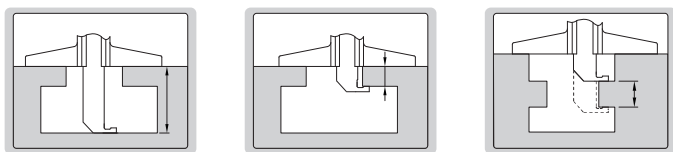


# METRIC VERNIER HOOK DEPTH GAUGES



1245-1501

- Made of stainless steel
- Satin chrome plating finish on reading surface



**Metric**

Graduation 0.02mm (mm)

Part No.	Range	Accuracy	L	d	a	b	c
1245-150	0-150mm	±0.03mm	250	100	2.5	2	10
1245-200	0-200mm	±0.03mm	300	100	2.5	2	10
1245-300	0-300mm	±0.04mm	400	100	2.5	2	10
1245-500	0-500mm	±0.05mm	605	150	10	5	11

**Metric**

Graduation 0.05mm (mm)

Part No.	Range	Accuracy	L	d	a	b	c
1245-1501	0-150mm	±0.05mm	250	100	2.5	2	10
1245-2001	0-200mm	±0.05mm	300	100	2.5	2	10
1245-3001	0-300mm	±0.06mm	400	100	2.5	2	10
1245-5001	0-500mm	±0.07mm	605	150	10	5	11