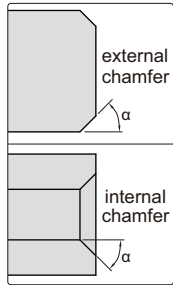
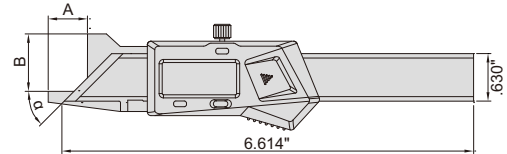


DIGITAL CHAMFER GAGES

DATA
OUTPUT



1180-6



- Measure 15°/20°/30°/45°/60° chamfer dimension
- Resolution .0005"/0.01mm
- Buttons: on/off, zero, inch/mm
- Automatic power off, move the digital unit to turn on power
- Battery CR2032, data output
- Made of stainless steel

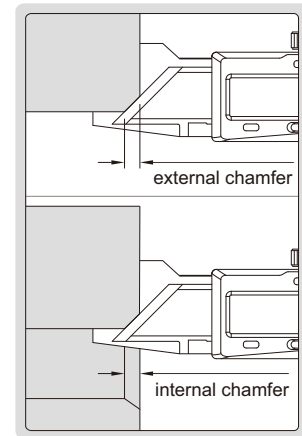
With data interface (data output cable part No. 7315-21, 7302-21, optional)

Part No.	Range	Accuracy	Chamfer (α)	A	B	D (DIA)
1180-6	0-.39"/0-10mm	±.0025"	45°	.591"	.866"	.276"
1180-61	0-.39"/0-10mm	±.0025"	15°	1.299"	.787"	.433"
1180-62	0-.39"/0-10mm	±.0025"	20°	1.299"	.787"	.433"
1180-63	0-.39"/0-10mm	±.0025"	30°	.591"	.866"	.315"
1180-66	0-.39"/0-10mm	±.0025"	60°	.551"	.827"	.276"

Built-in wireless

Part No.	Range	Accuracy	Chamfer (α)	A	B	D (DIA)
1180-6WL	0-.39"/0-10mm	±.0025"	45°	.591"	.866"	.276"
1180-61WL	0-.39"/0-10mm	±.0025"	15°	1.299"	.787"	.433"
1180-62WL	0-.39"/0-10mm	±.0025"	20°	1.299"	.787"	.433"
1180-63WL	0-.39"/0-10mm	±.0025"	30°	.591"	.866"	.315"
1180-66WL	0-.39"/0-10mm	±.0025"	60°	.551"	.827"	.276"

measure chamfer dimension



for internal chamfer measurement, diameter should be larger than D

