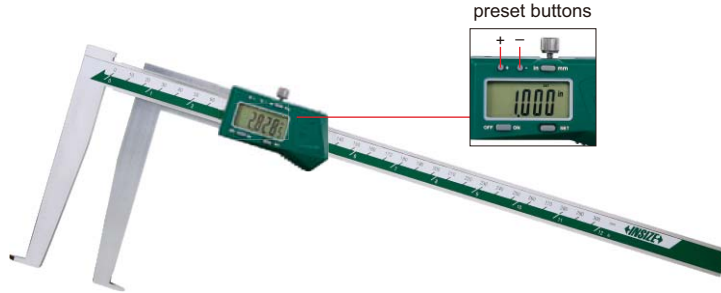
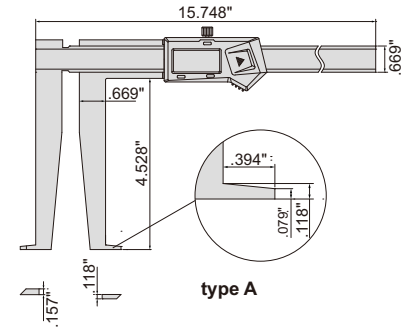


DIGITAL INSIDE GROOVE CALIPERS



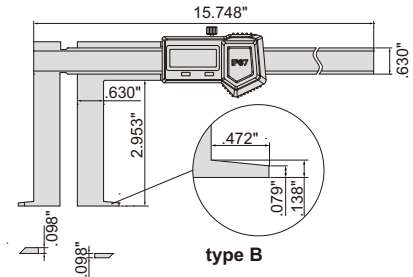
1178-300



type A



1178-300P



type B

- Measure diameter of grooves inside bores
- Resolution: .0005"/0.01mm
- Buttons type A: on/off, set, inch/mm, preset (+, -)
type B: on/off, zero, inch/mm, ABS/REL, hold
- Battery CR2032
- Made of stainless steel
- Optional accessory: depth stop (part no. 6143)

depth stop 6143
(optional)



**No dust/waterproof, with data interface
(data output cable part no. 7315-21, 7302-21, optional)**

Part No.	Range	Type	Accuracy
1178-300	1.18-12"/25-300mm	A	±.0020"

**No dust/waterproof, built-in wireless
(receiver part no. 7315-2/3/6/7/8 is required)**

Part No.	Range	Type	Accuracy
1178-300WL	1.18-12"/25-300mm	A	±.0020"

**IP67 dust/waterproof, no automatic power off, set zero
after power on each time, without data interface**

Part No.	Range	Type	Accuracy
1178-300P	1.30-12"/33-300mm	B	±.0020"