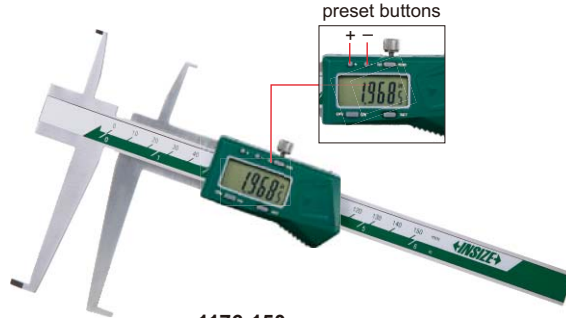


# DIGITAL INSIDE GROOVE CALIPERS



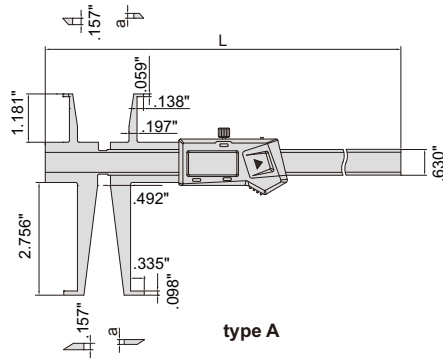
1176-150



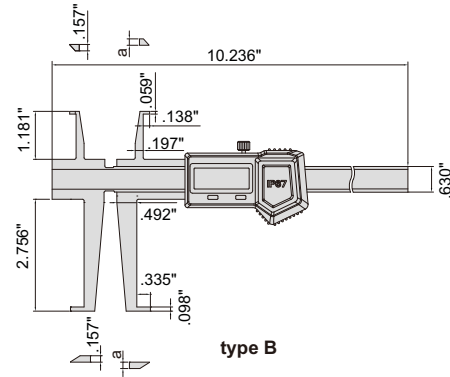
1176-150P



depth stop 6143 (optional)



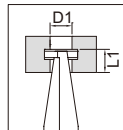
type A



type B

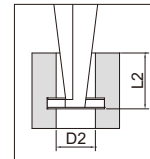
- Measure diameter of grooves inside bores
- Resolution: .0005"/0.01mm
- Buttons type A: on/off, set, inch/mm, preset (+, -)  
type B: on/off, zero, inch/mm, ABS/REL, hold
- Battery CR2032
- Made of stainless steel
- Optional accessory: depth stop (part no. 6143)

sizes to be measured (use upper jaws)



D1	L1
.354" DIA	<.315"
.394" DIA	<.591"
.433~8" DIA	<1.181"

sizes to be measured (use lower jaws)



D2	L2
.669" DIA	<.630"
.709" DIA	<1.102"
.748" DIA	<1.575"
.787" DIA	<1.969"
.827" DIA	<2.283"
.866~8" DIA	<2.756"

**No dust/waterproof, with data interface (data output cable part no. 7315-21, 7302-21, optional)**

Part No.	Range of upper jaw	Range of lower jaw	Type	Accuracy	L	a
1176-150	.35-6"/9-150mm	.70-6"/17-150mm	A	±.0015"	10.236"	.118"
1176-200	.35-8"/9-200mm	.70-8"/17-200mm	A	±.0020"	12.598"	.138"

**No dust/waterproof, built-in wireless (receiver part no. 7315-2/3/6/7/8 is required)**

Part No.	Range of upper jaw	Range of lower jaw	Type	Accuracy	L	a
1176-150WL	.35-6"/9-150mm	.70-6"/17-150mm	A	±.0015"	10.236"	.118"
1176-200WL	.35-8"/9-200mm	.70-8"/17-200mm	A	±.0020"	12.598"	.138"

**IP67 dust/waterproof, without data interface, no automatic power off, set zero after power on each time**

Part No.	Range of upper jaw	Range of lower jaw	Type	Accuracy	a
1176-150P	.35-6"/9-150mm	.70-6"/17-150mm	B	±.0015"	.157"