

DIGITAL DISK BRAKE AND PAD CALIPER

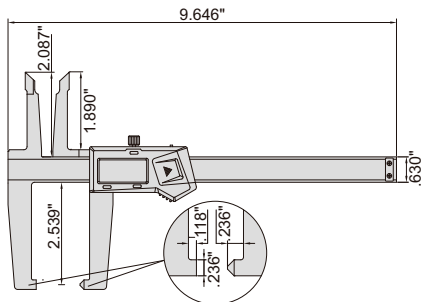
- Measure thickness of disk brakes and pad wear
- Resolution .0005"/0.01mm
- Buttons: on/off, zero, inch/mm
- Automatic power off, move the digital unit to turn on power
- Battery CR2032
- Made of stainless steel

With data interface (data output cable part no. 7315-21, 7302-21, optional)

Part No.	Range	Accuracy
1167-150A	0-6"/0-150mm	±.0030"

Built-in wireless (receiver part no. 7315-2/3/6/7/8 is required)

Part No.	Range	Accuracy
1167-150AWL	0-6"/0-150mm	±.0030"



RELATIVE PRODUCT: DISK BRAKE MICROMETER (PART NO. 3288-, 3588-)

DATA OUTPUT



1167-150A

