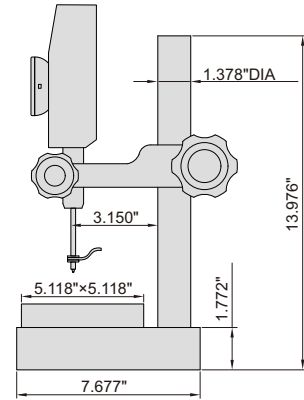


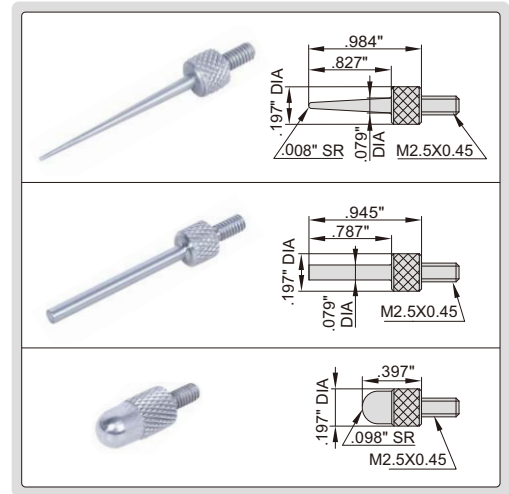
# HIGH PRECISION DIGITAL HEIGHT GAGES



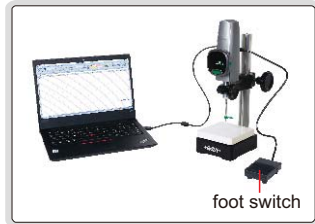
1155-505



measuring tips (included)



power supplied by charge pal



data transmitted to Excel without software; short press the foot switch to transmit data, long press to zero

- High stability, high precision, high response speed (200"/s)
- High brightness LED display
- Ceramic base flatness: 39µm

Part No.	Range	Resolution	Accuracy (68°F)	Measuring force	Output	Power supply
1155-505	0~2"	.00002"/ .5µm (can switch to .00005"/1µm)	59µm	.18lbf~ .27lbf	USB	5V/1A (adapter or charge pal)
1155-510	0~2"	.000005"/ .1µm (can switch to .00005"/1µm)	39µm	.18lbf~ .27lbf	USB	5V/1A (adapter or charge pal)

## OPTIONAL ACCESSORY

Contact point	part no. 6282
Charge pal	1155-5-POB
Data output cables (including foot switch)	1155-5-FOS

## STANDARD DELIVERY

Main unit	1 pc
-----------	------